



COMMERCIAL AUTOMATIC WASHER  
INSTALLATION AND SETUP INSTRUCTIONS

LAVEUSE AUTOMATIQUE  
GUIDE D'UTILISATION ET D'ENTRETIEN



FOR QUESTIONS ABOUT FEATURES, OPERATION/PERFORMANCE, PARTS, ACCESSORIES OR SERVICE  
CALL: 1.800.688.9900  
IN CANADA, CALL: 1.800.807.6777

VISIT OUR WEBSITE AT  
[WWW.MAYTAGCOMMERCIALLAUNDRY.COM](http://WWW.MAYTAGCOMMERCIALLAUNDRY.COM)

AU CANADA, POUR DES QUESTIONS À PROPOS DES CARACTÉRISTIQUES,  
DU FONCTIONNEMENT/RENDEMENT, DES PIÈCES, DES ACCESSOIRES OU DU SERVICE,  
COMPOSEZ LE : 1.800.807.6777

OU VISITEZ NOTRE SITE INTERNET À  
[WWW.MAYTAGCOMMERCIALLAUNDRY.COM](http://WWW.MAYTAGCOMMERCIALLAUNDRY.COM)

PARA OBTENER ACCESO AL MANUAL DE USO Y CUIDADO EN ESPAÑOL, O PARA OBTENER INFORMACIÓN ADICIONAL ACERCA DE SU PRODUCTO, VISITE: [WWW.MAYTAG.COM](http://WWW.MAYTAG.COM).  
TENGA LISTO SU NÚMERO DE MODELO COMPLETO. PODRÁ ENCONTRAR EL NÚMERO DE MODELO Y DE SERIE EN LA ETIQUETA UBICADA DEBAJO DE LA TAPA DE LA LAVADORA.

## TABLE OF CONTENTS

<b>WASHER SAFETY</b> .....	<b>3</b>
<b>INSTALLATION REQUIREMENTS</b> .....	<b>4</b>
Tools and Parts.....	4
Options .....	5
Location Requirements.....	6
Drain System.....	7
Electrical Requirements.....	7
<b>INSTALLATION INSTRUCTIONS</b> .....	<b>8</b>
Remove Transport System .....	8
Connect the Inlet Hoses .....	9
Route the Drain Hose.....	10
Secure the Drain Hose .....	10
Level the Washer.....	11
Complete Installation .....	11
<b>SETUP INSTRUCTIONS</b> .....	<b>12</b>
General User Information.....	12
Control Setup Procedures.....	13
Start Operating Setup .....	13
Washer Diagnostic Mode.....	16
<b>CLEANING YOUR WASHER</b> .....	<b>17</b>
Water Inlet Hoses.....	18
<b>ASSISTANCE OR SERVICE</b> .....	<b>18</b>
Accessories .....	18
<b>WARRANTY</b> .....	<b>19</b>

## TABLE DES MATIÈRES

<b>SÉCURITÉ DE LA LAVEUSE</b> .....	<b>21</b>
<b>EXIGENCES D'INSTALLATION</b> .....	<b>22</b>
Outillage et pièces .....	22
Options .....	23
Exigences d'emplacement.....	24
Système de vidange.....	25
Spécifications électriques .....	25
<b>INSTRUCTIONS D'INSTALLATION</b> .....	<b>26</b>
Dépose du système de transport.....	26
Raccordement des tuyaux d'alimentation .....	27
Acheminement du tuyau de vidange.....	28
Immobilisation du tuyau de vidange .....	28
Réglage de l'aplomb de la laveuse .....	29
Achever l'installation.....	29
<b>INSTRUCTIONS DE CONFIGURATION</b> .....	<b>30</b>
Information générale pour l'utilisateur .....	30
Procédures de réglage des systèmes de commande .....	31
Paramétrage pour mise en marche .....	31
Mode de diagnostic de la laveuse .....	35
<b>NETTOYAGE DE LA LAVEUSE</b> .....	<b>36</b>
Tuyaux d'arrivée d'eau.....	37
<b>ASSISTANCE OU SERVICE</b> .....	<b>37</b>
Accessoires.....	37
<b>GARANTIE</b> .....	<b>38</b>

# WASHER SAFETY

## Your safety and the safety of others are very important.

We have provided many important safety messages in this manual and on your appliance. Always read and obey all safety messages.



This is the safety alert symbol.

This symbol alerts you to potential hazards that can kill or hurt you and others.

All safety messages will follow the safety alert symbol and either the word "DANGER" or "WARNING."

These words mean:

**⚠ DANGER**

You can be killed or seriously injured if you don't immediately follow instructions.

**⚠ WARNING**

You can be killed or seriously injured if you don't follow instructions.

All safety messages will tell you what the potential hazard is, tell you how to reduce the chance of injury, and tell you what can happen if the instructions are not followed.

## IMPORTANT SAFETY INSTRUCTIONS

**WARNING:** To reduce the risk of fire, electric shock, or injury to persons when using the washer, follow basic precautions, including the following:

- Read all instructions before using the washer.
- Do not wash articles that have been previously cleaned in, washed in, soaked in, or spotted with gasoline, dry-cleaning solvents, other flammable, or explosive substances as they give off vapors that could ignite or explode.
- Do not add gasoline, dry-cleaning solvents, or other flammable, or explosive substances to the wash water. These substances give off vapors that could ignite or explode.
- Under certain conditions, hydrogen gas may be produced in a hot water system that has not been used for 2 weeks or more. **HYDROGEN GAS IS EXPLOSIVE.** If the hot water system has not been used for such a period, before using the washing machine, turn on all hot water faucets and let the water flow from each for several minutes. This will release any accumulated hydrogen gas. As the gas is flammable, do not smoke or use an open flame during this time.
- Do not allow children to play on or in the washer. Close supervision of children is necessary when the washer is used near children.
- Before the washer is removed from service or discarded, remove the door or lid.
- Do not reach into the washer if the drum, tub or agitator is moving.
- Do not install or store the washer where it will be exposed to the weather.
- Do not tamper with controls.
- Do not repair or replace any part of the washer or attempt any servicing unless specifically recommended in this manual or in published user-repair instructions that you understand and have the skills to carry out.
- See "Electrical Requirements" for grounding instructions.

**SAVE THESE INSTRUCTIONS**

# INSTALLATION REQUIREMENTS

## Tools and Parts

Gather the required tools and parts before starting installation. The parts supplied are in the washer drum.

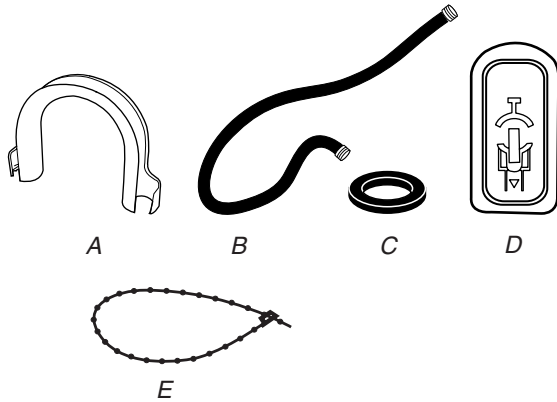
### Tools needed for connecting the water inlet hoses

- Pliers (that open to 1 $\frac{1}{16}$ " [39.5 mm])
- Flashlight (optional)

### Tools needed for installation

- Open end wrenches 14 mm and 13 mm
- Level
- Wood block
- Ruler or measuring tape

## Parts supplied



- A. U-shaped hose form
- B. Water inlet hoses (2)
- C. Inlet hose washers (4)
- D. Transit bolt hole plug (4)
- E. Beaded tie strap

### Parts supplied for PD Models:

- Service door lock cam

### Parts supplied PR Models:

- Card reader bezel
- Card reader wire harness
- Screws (2)

### Alternate Parts

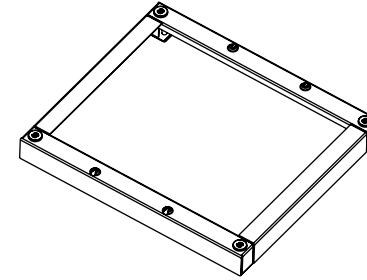
Your installation may require additional parts. If you are interested in purchasing one of the items listed here, call the toll-free number on the cover or in the "Assistance or Service" section.

If You Have	You Will Need to Buy
Laundry tub or standpipe taller than 96" (2.4 m)	Sump pump system (if not already available)
Overhead sewer	Standard 20 gal. (76 L), 30" (76.2 cm) tall drain tub or utility sink and sump pump (available from local plumbing suppliers)
Floor drain	Siphon break, Part Number 285834; additional drain hose, Part Number 8318155; and connector kit, Part Number 285835
Drain hose too short	4 ft (1.2 m) drain hose extension kit, Part Number 285863
Water faucets beyond reach of fill hoses	2 longer water fill hoses: 6 ft (1.8 m) Part Number 76314 10 ft (3.0 m) Part Number 350008

## Options

### Pedestal

You have the option of purchasing pedestals, separately for this washer. The pedestal will add to the total height of the washer.



Optional pedestal

Pedestal Height	Approximate height with washer	Color	Model Number
27 $\frac{1}{8}$ " (7.3 cm)	47.5" (120.7 cm)	White	WHP040

## Location Requirements

Selecting the proper location for your washer improves performance and minimizes noise and possible washer "walk."

Your washer can be installed under a custom counter, or in a basement, laundry room, closet, or recessed area. See "Drain System."

Companion appliance location requirements should also be considered. Proper installation is your responsibility.

### You will need

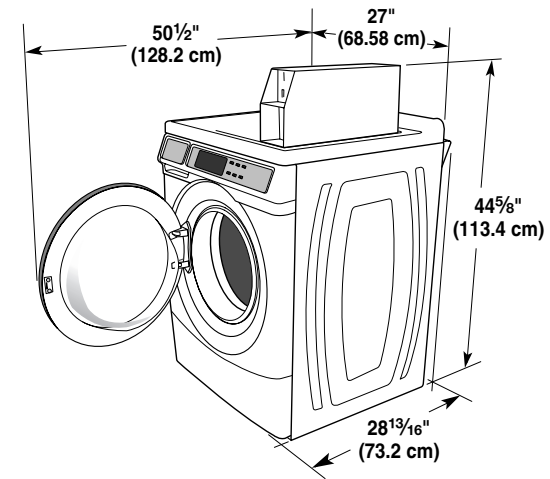
- A water heater set to deliver 120°F (49°C) water to the washer.
- A grounded electrical outlet located within 6 ft (1.8 m) of where the power cord is attached to the back of the washer. See "Electrical Requirements."
- Hot and cold water faucets located within 4 ft (1.2 m) of the hot and cold water fill valves, and water pressure of 20-100 psi (137.9-689.6 kPa).
- A level floor with a maximum slope of 1" (2.5 cm) under entire washer. Installing the washer on soft floor surfaces, such as carpets or surfaces with foam backing, is not recommended.
- A sturdy and solid floor to support the washer with a total weight (water and load) of 400 lbs (180 kg).

Do not operate your washer in temperatures below 32°F (0°C). Some water can remain in the washer and can cause damage in low temperatures.

### Installation clearances

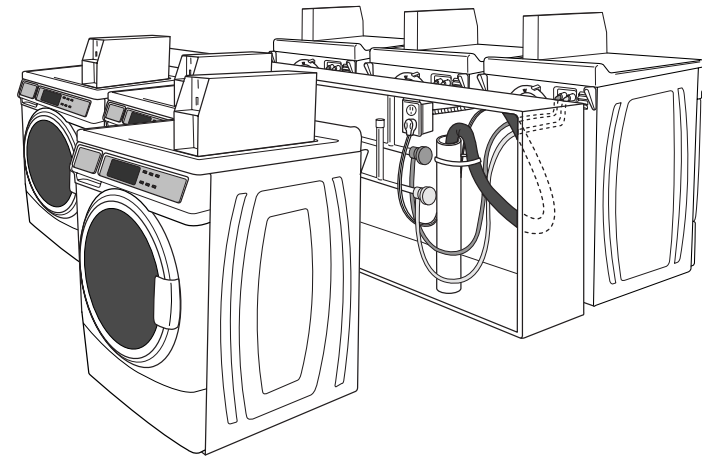
- The location must be large enough to allow the washer door to be fully opened.
- Additional spacing should be considered for ease of installation and servicing. The door opens more than 90°, and it is not reversible.
- Additional clearances might be required for wall, door, and floor moldings.
- Additional spacing of 1" (2.5 cm) on all sides of the washer is recommended to reduce noise transfer.
- Companion appliance spacing should also be considered.

### Washer Dimensions



*Door is not reversible.*

A floor drain should be provided under the bulkhead. Prefabricated bulkheads with electrical outlets, water inlet lines and drain facilities should be used only where local codes permit.



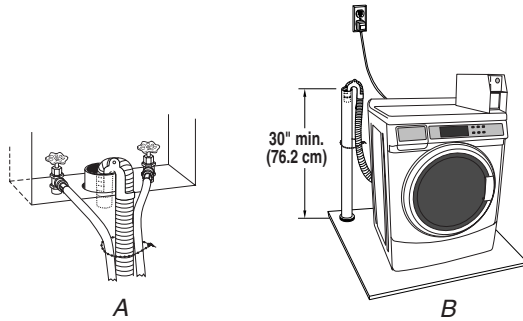
## Drain System

The washer can be installed using the standpipe drain system (floor or wall), the laundry tub drain system, or the floor drain system. Select the drain hose installation method you need. See "Tools and Parts."

### Standpipe drain system - wall or floor (views A & B)

The standpipe drain requires a minimum diameter standpipe of 2" (5 cm). The minimum carry-away capacity can be no less than 17 gal. (64 L) per minute.

The top of the standpipe must be at least 30" (76.2 cm) high and no higher than 96" (2.4 m) from the bottom of the washer.



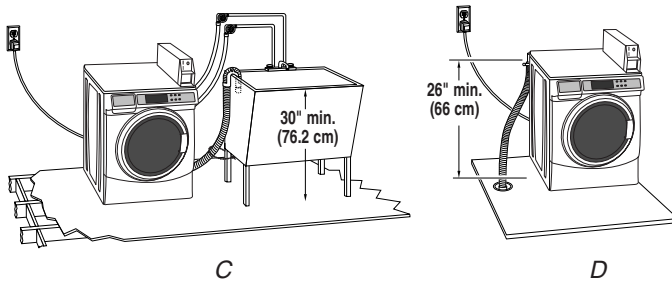
### Laundry tub drain system (view C)

The laundry tub needs a minimum 20 gal. (76 L) capacity. The top of the laundry tub must be at least 30" (76.2 cm) above the floor.

### Floor drain system (view D)

The floor drain system requires a siphon break that may be purchased separately. See "Tools and Parts."

The siphon break must be a minimum of 28" (71 cm) from the bottom of the washer. Additional hoses might be needed.



## Electrical Requirements

### ⚠ WARNING



#### Electrical Shock Hazard

**Plug into a grounded 3 prong outlet.**

**Do not remove ground prong.**

**Do not use an adapter.**

**Do not use an extension cord.**

**Failure to follow these instructions can result in death, fire, or electrical shock.**

- A 120 volt, 60 Hz., AC only, 15- or 20-amp, fused electrical supply is required. A time-delay fuse or circuit breaker is recommended. It is recommended that a separate circuit serving only this appliance be provided.
- This washer is equipped with a power supply cord having a 3 prong grounding plug.
- To minimize possible shock hazard, the cord must be plugged into a mating, 3 prong, grounding-type outlet, grounded in accordance with local codes and ordinances. If a mating outlet is not available, it is the personal responsibility and obligation of the customer to have the properly grounded outlet installed by a qualified electrician.
- If codes permit and a separate ground wire is used, it is recommended that a qualified electrician determine that the ground path is adequate.

- Do not ground to a gas pipe.
- Check with a qualified electrician if you are not sure the washer is properly grounded.
- Do not have a fuse in the neutral or ground circuit.

### GROUNDING INSTRUCTIONS

#### For a grounded, cord-connected washer:

This washer must be grounded. In the event of a malfunction or breakdown, grounding will reduce the risk of electrical shock by providing a path of least resistance for electric current. This washer is equipped with a cord having an equipment-grounding conductor and a grounding plug. The plug must be plugged into an appropriate outlet that is properly installed and grounded in accordance with all local codes and ordinances.

**WARNING:** Improper connection of the equipment-grounding conductor can result in a risk of electric shock. Check with a qualified electrician or serviceman if you are in doubt as to whether the appliance is properly grounded.

Do not modify the plug provided with the appliance – if it will not fit the outlet, have a proper outlet installed by a qualified electrician.

#### For a permanently connected washer:

This washer must be connected to a grounded metal, permanent wiring system, or an equipment grounding conductor must be run with the circuit conductors and connected to the equipment-grounding terminal or lead on the appliance.

# INSTALLATION INSTRUCTIONS

## Remove Transport System

### **⚠ WARNING**

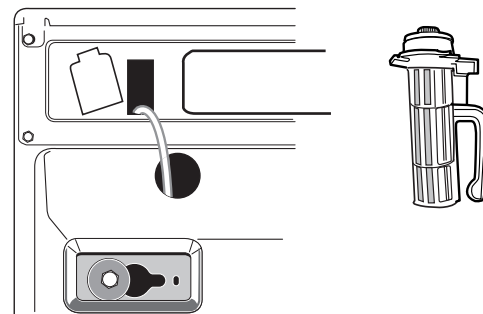
#### Excessive Weight Hazard

**Use two or more people to move and install washer.**

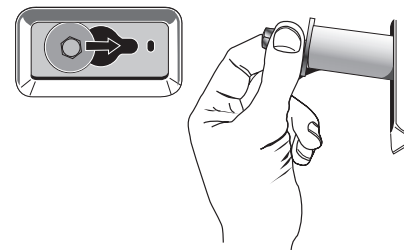
**Failure to do so can result in back or other injury.**

**IMPORTANT:** Position the washer so that the rear of the washer is within approximately 3 ft (90 cm) of its final location.

There are 4 blue bolts in the rear panel of the washer that support the suspension system during transportation. These bolts also retain the power cord inside the washer until the bolts are removed.



1. Keep the washer in the upright position while removing the blue bolts.
2. Using a 13 mm wrench, loosen each of the bolts.
3. Once the bolt is loose, move it to the center of the hole and completely pull out the bolt, including the plastic spacer covering the bolt.



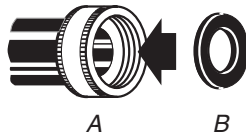
4. Once all 4 bolts are removed, discard the bolts and spacers. Then pull the power cord through the opening of the rear panel and close the hole with the attached cap.
5. Close the bolt holes with the 4 transport bolt hole plugs.

**NOTE:** If the washer is to be transported at a later date, call your local service center. To avoid suspension and structural damage, your washer must be properly set up for relocation by a certified technician.



## Connect the Inlet Hoses

Insert new flat washers (supplied) into each end of the inlet hoses. Firmly seat the washers in the couplings.

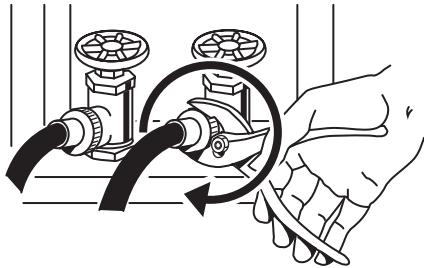


A. Coupling  
B. Washer

### Connect the inlet hoses to the water faucets

Make sure the washer drum is empty.

1. Attach a hose to the hot water faucet. Screw on coupling by hand until it is seated on the washer.
2. Attach a hose to the cold water faucet. Screw on coupling by hand until it is seated on the washer.
3. Using pliers, tighten the couplings with an additional two-thirds turn.

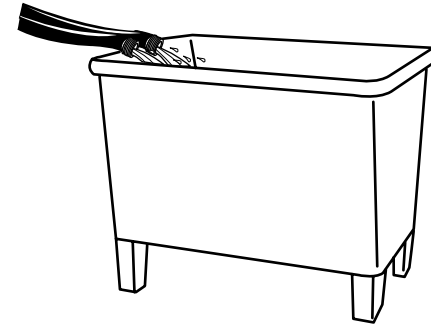


**NOTE:** Do not overtighten or use tape or sealants on the valve. Damage to the valves can result.

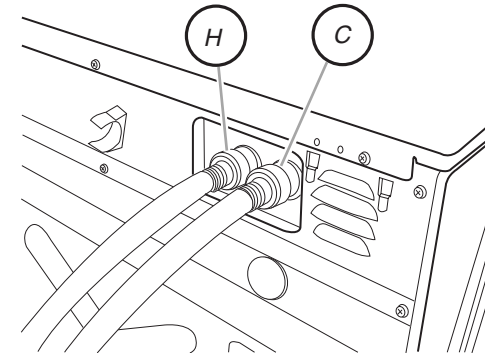
### Clear water lines

- Run water through both faucets and inlet hoses, into a laundry tub, drainpipe or bucket, to get rid of particles in the water lines that might clog the inlet valve screens.

- Check the temperature of the water to make sure that the hot water hose is connected to the hot water faucet and that the cold water hose is connected to the cold water faucet.



### Connect the inlet hoses to the washer



H. Hot water inlet  
C. Cold water inlet

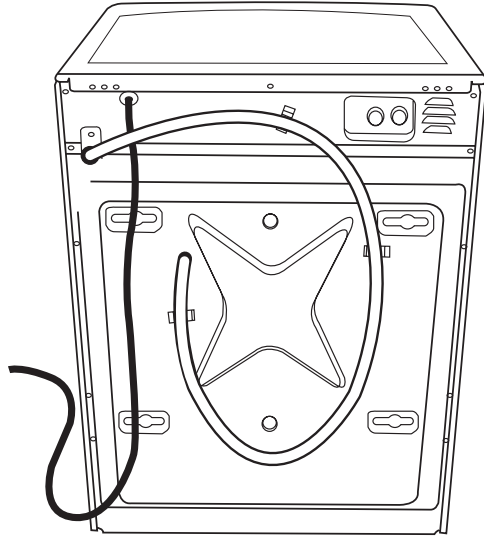
1. Attach the hot water hose to the washer's hot (H) water inlet valve. Screw on coupling by hand until it is seated on the washer.
2. Attach the cold water hose to the washer's cold (C) water faucet. Screw on coupling by hand until it is seated on the washer.
3. Using pliers, tighten the couplings with an additional two-thirds turn.  
**NOTE:** Do not overtighten. Damage to the coupling can result.
4. Turn on the water faucets completely and check for leaks.  
**NOTE:** Replace inlet hoses after 5 years of use to reduce the risk of hose failure. Record hose installation or replacement dates on the hoses for future reference.  
Periodically inspect and replace hoses if bulges, kinks, cuts, wear, or leaks are found.

## Route the Drain Hose

Proper routing of the drain hose protects your floor from damage due to water leakage. Read and follow these instructions.

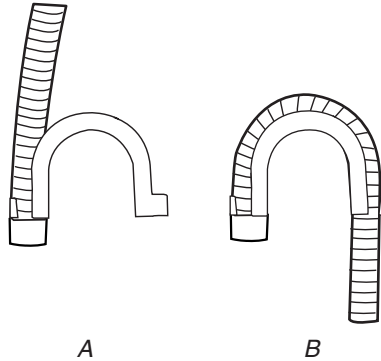
### Remove drain hose from the washer

Gently pull the corrugated drain hose from the shipping clips.



### Laundry tub drain or standpipe drain

Connect the drain hose form to the corrugated drain hose.



A. Snap either end of the drain hose form to the drain hose at the point where the corrugation begins.

B. Bend drain hose over drain hose form and snap into place.

### To keep drain water from going back into the washer:

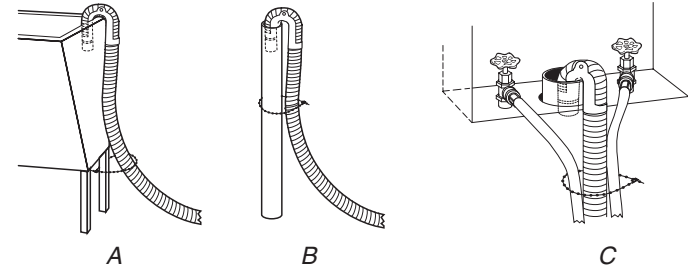
- Do not straighten the drain hose, and do not force excess drain hose into standpipe. Hose should be secure, but loose enough to provide a gap for air.
- Do not lay excess hose on the bottom of the laundry tub.

### Floor drain

You may need additional parts. See Floor drain under "Tools and Parts."

## Secure the Drain Hose

1. Drape the power cord over the washer top.
2. Move the washer to its final location.
3. Place the drain hose in the laundry tub or standpipe as shown. See illustrations A and B.



4. If the washer faucets and the drain standpipe are recessed, put the hooked end of the drain hose in the standpipe as shown. See illustration C.

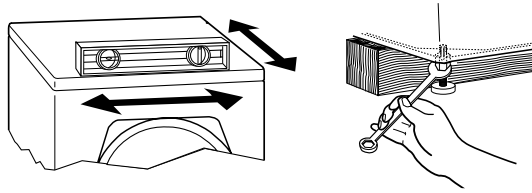
### NOTES:

- Do not force excess drain hose back into the rear of the washer.
- To avoid siphoning, do not seal the drain hose into the standpipe.

## Level the Washer

Properly leveling your washer avoids excessive noise and vibration.

1. Check the levelness of the washer by placing a level on the top edge of the washer, first side to side, then front to back.



If the washer is against a wall, move the washer out slightly before tipping back. If the washer is not level, first prop the front with a wood block and adjust the feet as necessary; then prop the back and adjust feet as necessary. Repeat this step until washer is level.

2. Make sure all four feet are stable and resting on the floor. Then check that the appliance is perfectly level (use a level).
3. After the washer is level, use a 14 mm open-end wrench to turn the nuts on the feet tightly against the washer cabinet.

**IMPORTANT:** All four feet must be tightened. If the nuts are not tight against the washer cabinet, the washer may vibrate.

4. The washer should not move front to back, side to side, or diagonally when pushed on its top edges.
5. Slide the washer to its final location.
6. Confirm the levelness of the washer.

## Complete Installation

1. Check the electrical requirements. Be sure that you have the correct electrical supply and the recommended grounding method. See "Electrical Requirements."
2. Check that all parts are now installed. If there is an extra part, go back through the steps to see which step was skipped.
3. Check that you have all of your tools.
4. Dispose of/recycle all packaging materials.
5. Check that the water faucets are on.
6. Check for leaks around faucets and inlet hoses.

### **⚠ WARNING**



#### **Electrical Shock Hazard**

**Plug into a grounded 3 prong outlet.**

**Do not remove ground prong.**

**Do not use an adapter.**

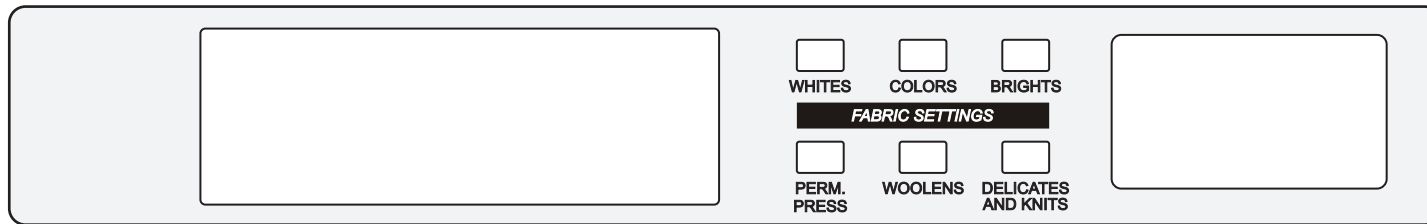
**Do not use an extension cord.**

**Failure to follow these instructions can result in death, fire, or electrical shock.**

7. Plug into a grounded 3 prong outlet.
8. To test and to clean your washer, measure  $\frac{1}{2}$  the detergent manufacturer's recommended amount of HE High Efficiency detergent for a medium-size load. Pour the detergent into the detergent dispenser. Select any cycle and allow the washer to complete one whole cycle.



# SETUP INSTRUCTIONS



This washer can hold up to a 16 lb (7 kg) load of laundry.

1. PD Models: Insert coins until "SELECT CYCLE" flashes in display.  
PR Models: A debit card is required rather than coins. In Enhanced Debit mode, the card balance will also display when a debit card is inserted into the reader.
2. Door must be closed before cycle selection is made,
3. Press fabric setting keypad for the wash cycle desired. After the cycle is started, the time will display and count down.
4. When a cycle is interrupted by opening the door, "RESELECT CYCLE" will flash in the display. To restart the washer, close door and press any key.

## General User Information

"- - - -" INOPERATIVE STATE - These lines on the display indicate the appliance is inoperative. Enter setup mode to view diagnostic code.

"0 MINUTES" SHOWING IN DISPLAY - This condition indicates the appliance cannot be operated. Coins dropped or debit inputs during this condition will be stored in escrow but cannot be used until normal operation is restored by opening and closing the door. If a door switch fails, it must be replaced before normal operation can be restored.

COLD START (Initial first use) - Appliance is programmed at the factory as follows:

Washer	14-minute wash period
	3 rinses (extra rinse not enabled)
	\$1.75 wash price (PD models)
	\$0.00 wash price (PR model)

WARM START (after power failure) - A few seconds after power is restored, if a cycle was in progress at the time of the power failure, "RESELECT CYCLE" will flash in the display, indicating the need for a key press to restart washer.

DOOR LOCK - The door will be locked when the cycle starts. The door will remain locked until the end of a cycle or approximately 2 minutes after a power interruption.

PRICING - After the door is opened following the completion of a cycle, the display indicates the cycle price (unless set for free operation). As coins are dropped or debit inputs arrive, the display will change to lead the user through the initiation of a cycle.

FREE CYCLES - This is established by setting the cycle price to zero. When this happens "SELECT CYCLE" will appear rather than a cycle price.

DEBIT CARD READY - This appliance is debit card "cable" ready. It will accept a variety of debit card systems, but does not come with a debit card reader. Refer to the debit card reader manufacturer for proper washer setup. In models converted to a Generation 1 debit card system, debit pulses represent the equivalent of one coin.

DISPLAY - After the washer has been installed and plugged in, the display will show "0 MINUTES." Once the washer has been plugged in and the washer door opened and closed the display will show the price. In washers set for free cycles the display will flash "SELECT CYCLE."


## Control Setup Procedures

**IMPORTANT:** Read all instructions before operating.

PD Models: Insert access door key, turn, and lift to remove access door.

PR Models: Once the debit card reader is installed (according to the reader manufacturing instructions), the setup mode can be entered by inserting a manual setup card (supplied by the reader manufacturer) into the card slot. If a manual setup card is not available, manual setup mode can be entered by removing connector AA1 on the circuit board.

**⚠ WARNING**



**Electrical Shock Hazard**

**Disconnect power before servicing.**


**Replace all parts and panels before operating.**

**Failure to do so can result in death or electrical shock.**

**IMPORTANT:** Unplug washer or disconnect power before opening the console.

To access connector AA1, disconnect power, open console, disconnect plug on AA1, close console.

**⚠ WARNING**



**Electrical Shock Hazard**

**Plug into a grounded 3 prong outlet.**

**Do not remove ground prong.**

**Do not use an adapter.**

**Do not use an extension cord.**

**Failure to follow these instructions can result in death, fire, or electrical shock.**

Plug in washer or reconnect power. The washer is now in the setup mode.

The lower fabric setting keypads and the digital display are used to set up the controls.

The display can contain 4 numbers and/or letters and a decimal point. These are used to indicate the setup codes and related code values available for use in programming the appliance.

### HOW TO USE THE KEYPADS TO PROGRAM THE CONTROLS

1. The PERMANENT PRESS keypad is used to adjust the values associated with setup codes. Pressing the keypad will change the value by increments. Rapid adjustment is possible by holding the keypad down.
2. The WOOLENS keypad will advance you through the setup codes. Pressing the keypad will advance you to the next available setup code. Holding the keypad down will automatically advance through the setup codes at a rate of 1 per second.
3. The DELICATES & KNITS keypad is used to select or deselect options.

## Start Operating Setup

Before proceeding, it is worth noting that, despite all of the options available, an owner can simply choose to uncrate a new commercial washer, hook it up, plug it in, and have a unit which operates.

Units are preset at the factory for a 14-minute wash period and 3 rinses (no extra rinse).

### SETUP CODES

The WOOLENS keypad will advance you from code to code. The PERMANENT PRESS keypad will change the code value. The DELICATES & KNITS keypad will select or deselect options.

FOR PR MODELS: The setup codes are the same as for the "PD" model except where noted.

The setup code is indicated by the one or two left-hand characters. The setup code value is indicated by the two or three right-hand characters.

### CODE EXPLANATION

607	6	REGULAR CYCLE PRICE
	07	Represents the number of quarters (coin 1); may adjust from 0-39. (See VALUE OF COIN 1.) Advance from 0-39 by pressing PERMANENT PRESS. Currently set for 7 quarters = \$1.75. PR MODEL ONLY: Currently set for 0 quarters. PS MODE ONLY: Represents the number of push-in actuations of the coin slide to start the washer. 601 setting would represent one coin slide actuation. Press WOOLENS keypad once to advance to next code.
714	7	WASH LENGTH
	14	This is the number of minutes for WASH. Unit comes from the factory preset with 14 minutes. Choose from 9-17 minutes by pressing the PERMANENT PRESS keypad. Press WOOLENS keypad once to advance to next code.

**800 8 ADDITIONAL RINSE OPTION**

This option is either SELECTED "ON" or NOT SELECTED "OFF."

00 Not Selected "OFF."  
Ar Selected "ON."  
Press DELICATES & KNITS keypad once for this selection.  
Press WOOLENS keypad once to advance to next code.

**900 9 CYCLE COUNTER OPTION**

This option is either SELECTED "ON" or NOT SELECTED "OFF."

00 Not Selected "OFF."  
0C Selected "ON" and not able to be deselected. Press DELICATES & KNITS keypad 3 consecutive times to select "ON." Once selected "ON" it cannot be deselected.  
Press WOOLENS keypad once to advance to next code.

**1.00 1. MONEY COUNTER OPTION**

This option is either SELECTED "ON" or NOT SELECTED "OFF."

00 Not Selected "OFF."  
0C Selected "ON."  
Press DELICATES & KNITS keypad 3 consecutive times to select "ON" and 3 consecutive times to remove (Not Selected "OFF"). Counter resets by going from "OFF" to "ON."  
Press WOOLENS keypad once to advance to next code.  
C0 Selected "ON" and not able to be deselected. To select "ON" and not able to be deselected, first select "ON," then within 2 seconds, press DELICATES & KNITS twice, PERMANENT PRESS once, and exit setup mode.

**2.00 2. SPECIAL PRICING OPTIONS**

This option is either SELECTED "ON" or NOT SELECTED "OFF."

00 Not Selected "OFF."  
SP Selected "ON."  
Press DELICATES & KNITS keypad once for this selection.

If SPECIAL PRICING OPTION is selected, you have access to codes 3.XX through 9.XX.  
Press WOOLENS keypad once to advance to next code.

**Options to use if SPECIAL PRICING is selected.**

**3.07 3. SPECIAL CYCLE PRICE**

07 Represents the number of quarters (coin 1); may adjust from 0-39. (See VALUE OF COIN 1.) Advance from 0-39 by pressing PERMANENT PRESS.  
Currently set for 7 quarters = \$1.75  
PR MODEL ONLY: Currently set for 0 quarters.  
Press WOOLENS keypad once to advance to next code.

**5.00 5. TIME-OF-DAY CLOCK, MINUTES**

00 This is the TIME-OF-DAY CLOCK, minute setting; select 0-59 minutes by pressing PERMANENT PRESS keypad.  
Press WOOLENS keypad once to advance to next code.

**6.00 6. TIME-OF-DAY CLOCK, HOURS**  
(NOTE: Uses military time or 24 hr. clock)

00 This is the TIME-OF-DAY CLOCK, hour setting; select 0-23 hours by pressing PERMANENT PRESS keypad.  
Press WOOLENS keypad once to advance to next code.

**7.00 7. SPECIAL PRICE START HOUR**  
(NOTE: Uses military time or 24 hr. clock)

00 This is the start hour; 0-23 hours. Select START HOUR by pressing PERMANENT PRESS keypad.  
Press WOOLENS keypad once to advance to next code.

**8.00 8. SPECIAL PRICE STOP HOUR**  
(NOTE: Uses military time or 24 hr. clock)

00 This is the stop hour; 0-23 hours. Select STOP HOUR by pressing PERMANENT PRESS keypad.  
Press WOOLENS keypad once to advance to next code.

**9.10 9. SPECIAL PRICE DAY**

10 This represents the day of the week and whether special pricing is selected for that day. A number followed by "0" indicates no selection that particular day (9.10). A number followed by an "S" indicates selected for that day (9.1S). To change the value of "0" and "S," use the "DELICATES & KNITS" key.  
Days of the week (1-7) are selected by pressing PERMANENT PRESS keypad.

**When exiting setup code "9.", it must show current day of week.**

Days of the week			SPECIAL PRICE DAY If selected, would show
10	Day 1	Sunday	1S
20	Day 2	Monday	2S
30	Day 3	Tuesday	3S
40	Day 4	Wednesday	4S
50	Day 5	Thursday	5S
60	Day 6	Friday	6S
70	Day 7	Saturday	7S

Press WOOLENS keypad once to advance to next code

A.00	A.	<b>VAULT VIEWING OPTION</b>
		This option is either SELECTED "ON" or NOT SELECTED "OFF."
	00	Not Selected "OFF."
	SC	SC Selected "ON."
		Press DELICATES & KNITS keypad once for this selection. When selected, the money and/or cycle counts will be viewable (if counting is selected), when the coin box is removed.
		Press WOOLENS keypad once to advance to next code.

b.05	b.	<b>VALUE OF COIN 1</b>
	05	This represents the value of coin 1 in number of nickels. 05 = \$0.25.
		By pressing PERMANENT PRESS keypad you have the option of 1-199 nickels.
		PS MODE ONLY: Represents the total vend price in nickels.
		Example: b.30 is equal to \$1.50.
		Press WOOLENS keypad once to advance to next code.

C.20	C.	<b>VALUE OF COIN 2</b>
	20	This represents the value of coin 2 in number of nickels; 20 = \$1.00.
		PR MODEL ONLY: Currently set for \$0.25
		By pressing PERMANENT PRESS keypad you have the option of 1-199 nickels.
		Press WOOLENS keypad once to advance to next code.

d.00	d.	<b>COIN SLIDE OPTION</b>
		This option is either SELECTED "ON" or NOT SELECTED "OFF."
	00	Not Selected "OFF."
	CS	CS Selected "ON."
		Press DELICATES & KNITS keypad 3 consecutive times for this selection. When coin slide mode is selected, set b. equal to value of slide in nickels. Set Step 6 (regular cycle price) and Step 3 (special cycle price) to number of slide operations. If the installer sets up "CS" on a coin drop model, it will not register coins.
		Press WOOLENS keypad once to advance to next code.

E.00	E.	<b>ADD COINS OPTION</b>
		This option is either SELECTED "ON" or NOT SELECTED "OFF."
		This option causes the customer display to show the number of coins (coin 1) to enter, rather than the dollars-and-cents amount.
	00	Not Selected "OFF."
	AC	Selected "ON."
		Press DELICATES & KNITS keypad 3 consecutive times for this selection.
		Press WOOLENS keypad once to advance to next code.

F.00	F.	<b>ENHANCED PRICING OPTION</b>
	00	Not Selected "OFF."
	CP	Cycle-Based pricing enabled. This option allows configuration of different prices for cold, warm, and hot water cycles.
	Su	Super Cycle pricing enabled. This option allows customers to upgrade cycles by depositing extra money. Setup codes "H." and "h." will be displayed only when this option is enabled.
		Press DELICATES & KNITS keypad once for this selection.
		Press WOOLENS keypad once to advance to next code.

H.01	H.	<b>SUPER CYCLE UPGRADE PRICE</b> (Skipped unless super cycle pricing is enabled.)
	01	This represents the number of coin 1 required to upgrade a base cycle to a super cycle.
		Advance from 0-39 by pressing PERMANENT PRESS keypad.
		Press WOOLENS keypad once to advance to next code.

h.01	h.	<b>SUPER CYCLE TYPE (Skipped unless Super Cycle pricing is enabled.)</b>
	01	This represents the super cycle upgrade option.
		Press PERMANENT PRESS keypad to step through upgrade options 1-3 as follows:
		01 - enhanced wash, extra 3 minutes of wash tumble in addition to the programmed wash time.
		02 - extra rinse for all cycles.
		03 - both 01 and 02.
		Press WOOLENS keypad once to advance to next code.

J.Cd	J.	<b>COIN/DEBIT OPTION</b>
	Cd	Both coin and debit selected.
	C_	Coins selected, debit disabled.
	_d	Debit Card selected, coins disabled.
		Press DELICATES & KNITS keypad 3 consecutive times for this selection.
	Ed	Enhanced debit is self-selected when a Generation 2 card reader is installed in the washer. The Ed option cannot be manually selected or deselected.
		Press WOOLENS keypad once to advance to next code.

L.00	L.	<b>PRICE SUPPRESSION OPTION</b>
		This option causes the customer display to show "ADD" or "AVAILABLE" rather than the amount of money to add. (Used mainly in debit installations.)
	00	Not Selected "OFF."
	PS	PS Selected "ON."
		Press DELICATES & KNITS keypad once for this selection.
		Press WOOLENS keypad once to advance to next code.



n.CE	n.	<b>CLEAR ESCROW OPTION</b>
		When selected, money held in escrow for 30 minutes without further escrow or cycle activity will be cleared.
	00	Not Selected "OFF."
	CE	Selected "ON." Press DELICATES & KNITS keypad once for this selection. Press WOOLENS keypad once to advance to next code.

r.800	r.	<b>TOP SPIN SPEED RPM</b>
	800	This can be selected from the following spin speeds: 600 rpm, 750 rpm, 800 rpm, 1000 (displays as 999) rpm. Step between speeds by pressing PERMANENT PRESS. Currently set for 800 rpm. Press WOOLENS keypad once to advance to next code.

U.00	U.	<b>PENNY INCREMENT OFFSET</b>
	00	This represents the penny increment price offset used in Generation 2 (Enhanced Debit) PR models. Choose from 0-4 pennies by pressing the PERMANENT PRESS keypad. Press WOOLENS keypad once to advance to next code.

A1.00	A1.	<b>PREWASH LENGTH</b>
	00	This is the number of minutes of PREWASH. Choose 0 to disable the prewash or select between 2 and 7 minutes by pressing the PERMANENT PRESS keypad. Press WOOLENS keypad once to advance to next code.

A2.03	A2.	<b>FINAL SPIN LENGTH</b>
	03	This is the number of minutes of final high speed spin. Choose from 3-8 minutes by pressing the PERMANENT PRESS keypad. Press WOOLENS keypad once to advance to next code.

**If cycle counter (90C) is selected, the following is true:**

100	Represents the number of cycles in HUNDREDS	1 02 = 200
200	Represents the number of cycles in ONES	2 25 = 25

Total = 225 cycles

This is "VIEW ONLY" and cannot be cleared.

Press WOOLENS keypad once to advance to next code.

**If money counter (1.0C or 1.C0) is selected, the following is true:**

300	Number of dollars in HUNDREDS	3 01 = 100
400	Number of dollars in ONES	4 68 = 68
500	Number of CENTS.	5 75 = 75

Total =\$168.75

END of SETUP PROCEDURES.

**EXIT FROM SETUP MODE**

PD Models: Reinstall access door.

PR Model: Remove power, open console, reinsert plug into AA1, close console, and apply power.

## Washer Diagnostic Mode

To enter the "Washer Diagnostic Mode," first enter "Start Operating Setup." Then press and hold the DELICATES & KNITS key for 1 second while in any of the setup codes one through six, anytime a diagnostic code is present, or while dAS displays if operating with Maytag Data Acquisition setup.

On entry to diagnostic mode the entire display will flash, a cycle in process is canceled, money in escrow is cleared, and diagnostic codes are cleared. If a diagnostic code persists, it must be corrected before the following cycle options are permitted.

There are five possible ways to initiate cycle activity from diagnostic mode as follows:

1. Clean Washer cycle - With the entire display flashing, this cycle is started by pressing the BRIGHTS keypad.

Use the Clean Washer cycle once a month to keep the inside of your washer fresh and clean. This cycle uses a higher water level. Use with AFFRESH™ washer cleaner tablet or liquid chlorine bleach to thoroughly clean the inside of your washing machine. This cycle should not be interrupted. See "Cleaning Your Washer."

**IMPORTANT:** Do not place garments or other items in the washer during the Clean Washer cycle. Use this cycle with an empty wash drum.

2. Cycle Credit - With the entire display flashing, a cycle may be credited by pressing the PERMANENT PRESS keypad (CC will display). When the service mode is exited "SELECT CYCLE" will be displayed unless the end-of-cycle door opening is required.
3. Manual Load Test Cycle - With the entire display flashing, this cycle is started by pressing the WHITES keypad. This cycle provides more typical full length fills, tumbles, drains and actuator dispenser movement allowing for a more thorough analysis of the washer operation, including pressure switch behavior.
4. Quick Spin Cycle - With the entire display flashing, this cycle is started by pressing the COLORS keypad. This cycle provides a method to quickly drain and spin (remove water from the washer) if desired.
5. History Overview Test Cycle - With the entire display flashing, this cycle is started by pressing the WOOLENS keypad. This cycle provides a quick verification that the cold and hot water valves, dispensers, and pump motor are working and actuator dispenser movement. It also includes drain and spin operations.

Pressing the DELICATES & KNITS keypad will exit diagnostic mode and cancel a diagnostic cycle in process.



## DIAGNOSTIC CODES

If the setup mode is entered and one of the following has occurred, the appropriate diagnostic code will be in the display.

- d5 Blocked coin 1 or coin drop control circuit failure (coin recognition and price display disabled while blockage persists). PR Models Only: Setup mode J. should be set to \_d (or Ed if in Enhanced Debit) to eliminate coin related diagnostic codes.
- d9 Voltage detected below 90 vac for 8 seconds.
- d13 Blocked coin 2 or coin drop control circuit failure (coin recognition and price display disabled while blockage persists).
- d16 Not receiving communications from installed debit card reader in Generation 2 debit mode.
- F20 Slow Fill. The washer will not detect water input for 4 min. Pressure switch failure or no water inlet. This code is reported as d8 on d7
- F22 The door is not able to lock. Door lock error or someone trying to start the washer, by pressing the door switch with the finger. This code is reported as d17 on Accu Trac.

(For different code consult service personnel)

## WASHER HELP MODE

This mode is entered by pressing the PERMANENT PRESS keypad while in special pricing option mode 2.XX (or while dAS displays if operating with Maytag Data Acquisition setup).

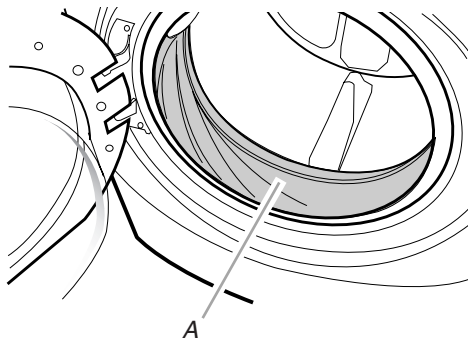
In help mode, other display symbols and elements are mapped to reflect the state of various inputs and outputs as follows:

Wash	Water sensed at wash level
*	Low voltage present (below about 90 vac)
Circle above digit	Door closed
DOOR LOCKED	Door sensed locked
COLD	Cold water relay on
HOT	Hot water relay on
OR	Door unlock
AVAILABLE	Drain pump ON

# CLEANING YOUR WASHER

## Cleaning the Door Seal/Bellow

1. Open the washer door and remove any clothing or items from the washer.
2. Inspect the black colored seal/bellow between the door opening and the basket for stained areas. Pull back the seal/bellow to inspect all areas under the seal/bellow and to check for foreign objects.



A. Seal/Bellow

3. If stained areas are found, wipe down these areas of the seal/bellow, using the procedure that follows.
  - a) Mix a dilute solution, using  $\frac{3}{4}$  cup (177 mL) of liquid chlorine bleach, and 1 gal. (3.8 L) of warm tap water.
  - b) Wipe the seal/bellow area with the dilute solution, using a damp cloth.
  - c) Let stand 5 minutes.
  - d) Wipe down area thoroughly with a dry cloth and let the washer interior air dry with door open.

### IMPORTANT:

- Wear rubber gloves when cleaning for prolonged periods.
- Refer to the bleach manufacturer's instructions for proper use.

## Washer Maintenance Procedure

This washer has a special cycle that uses higher water volumes in combination with AFFRESH™ washer cleaner or liquid chlorine bleach to thoroughly clean the inside of the washer.

### NOTES:

- Read these instructions completely before beginning the cleaning process.
- If necessary, the cleaning cycle may be interrupted by pressing the DELICATES & KNITS button twice. However, this will not immediately stop the cycle. The machine will continue with several rinse and drain steps to ensure that all remaining bleach is rinsed from the washer.

## Begin procedure

1. Open the washer door and remove any clothing or items from the washer.
2. **Using the AFFRESH™ washer cleaner (Recommended):**  
Add one AFFRESH™ washer cleaner tablet to the washer drum.  
**If using liquid chlorine bleach:**  
Open the dispenser drawer and immediately add  $\frac{2}{3}$  cup (160 mL) of liquid chlorine bleach to the bleach compartment.  
**NOTE:** Do not add any detergent to this cycle. Use of more than  $\frac{2}{3}$  cup (160 mL) of bleach will cause product damage over time.
3. Close the washer door and the dispenser drawer.
4. To start the Clean Washer cycle, first enter "Start Operating Setup." Then press and hold DELICATES & KNITS for 1 second. With the entire display flashing, press BRIGHTS.  
**NOTE:** The basket will rotate, then the door will unlock, lock again, and then the cycle will continue.
  - The machine will not fill, but the basket will rotate while the washer runs a short sensing cycle. This will take approximately 3 minutes.
5. The cycle will determine whether clothing or other items are in the washer.
  - a) If no items are detected in the washer, it will proceed to Step 7.
  - b) If any items are detected in the washer, "rL" or "F-34" will be displayed. Then the door will unlock.
    - Press DELICATES & KNITS to cancel the failure code. Then repeat steps 1, 3 and 4 to start the cycle again.
6. Once the cycle has begun, allow the cycle to complete.
7. After the cycle is complete, leave the door open slightly, to allow for better ventilation and drying of washer interior.

## Always do the following to maintain washer freshness

- Use only HE High Efficiency detergent.
- Leave the door slightly open after each cycle to allow for better ventilation and drying of washer interior.
- Clean the washer monthly using the Washer Maintenance Procedure, an AFFRESH™ tablet or  $\frac{2}{3}$  cup (160 mL) of liquid chlorine bleach.
- If the procedure does not sufficiently improve the machine freshness, please evaluate your installation and usage conditions for other causes.

## Cleaning the exterior

Use a soft damp cloth or sponge to wipe up any spills. Occasionally wipe the outside of your washer to keep it looking new. Use mild soap and water. Do not use abrasive products.

## Cleaning the dispenser drawer

The dispenser drawer is removable for easy cleaning.

1. Unlock the dispenser drawer by pressing the Release Lever. Remove the drawer.
2. Remove the inserts (the siphon from the softener and bleach compartments).
3. Wash the parts under running water.

**NOTE:** Do not wash components in the dishwasher.

4. Replace the inserts and return the dispenser to the drawer.

## Water Inlet Hoses

Replace inlet hoses after 5 years of use to reduce the risk of hose failure. Periodically inspect and replace inlet hoses if bulges, kinks, cuts, wear or leaks are found.

When replacing your inlet hoses, record the date of replacement.

## ASSISTANCE OR SERVICE

### If you need assistance:

The Maytag Consumer Interaction Center will answer any questions about operating or maintaining your washer not covered in the Installation Instructions. The Maytag Consumer Interaction Center is open 24 hours a day, 7 days a week. Just dial **1-800 NO BELTS (1-800-662-3587)** - the call is free.

When you call, you will need the washer model number and serial number. Both numbers can be found on the serial-rating plate located on your appliance.

## Accessories

Enhance your washer with these premium accessories.

For more high-quality items or to order, call **1-800-901-2042**, or visit us at [www.maytag.com/accessories](http://www.maytag.com/accessories). In Canada call: **1-800-807-6777** or visit us at [www.whirlpoolparts.ca](http://www.whirlpoolparts.ca).

Part Number	Accessory
<b>8212638RP</b>	6 ft (1.8 m) nylon braided space-saving fill hose, 90° elbow, hydro-blue steel couplings. Safer than stainless steel. (2-pack)
<b>8212487RP</b>	5 ft (1.5 m) nylon braided fill hose. Safer than stainless steel. (2-pack)
<b>8212526</b>	Washer drip tray, fits under all
<b>31682</b>	All purpose appliance cleaner
<b>1903WH</b>	Laundry supply storage cart
<b>W10135699</b>	AFFRESH™ washer cleaner

# MAYTAG COMMERCIAL WASHER, DRYER, STACKED DRYER/DRYER, COMMERCIAL STACK LAUNDRY, AND MULTI-LOAD COIN OPERATED COMMERCIAL WASHERS AND DRYERS WARRANTY

## LIMITED WARRANTY ON PARTS

For the first five years from the date of purchase, when this commercial appliance is installed, maintained and operated according to the instructions attached to or furnished with the product, Maytag brand of Whirlpool Corporation (hereafter "Maytag") will pay for factory specified parts or original equipment manufacturer parts to correct defects in materials or workmanship. Proof of original purchase date is required to obtain service under this warranty.

## ITEMS MAYTAG WILL NOT PAY FOR

1. All other costs including labor, transportation, or custom duties.
2. Service calls to correct the installation of your commercial appliance, to instruct you how to use your commercial appliance, to replace or repair fuses, or to correct external wiring or plumbing.
3. Repairs when your commercial appliance is used for other than normal, commercial use.
4. Damage resulting from improper handling of product during delivery, theft, accident, alteration, misuse, abuse, fire, flood, acts of God, improper installation, installation not in accordance with local electrical or plumbing codes, or use of products not approved by Maytag.
5. Pickup and Delivery. This commercial appliance is designed to be repaired on location.
6. Repairs to parts or systems resulting from unauthorized modifications made to the commercial appliance.
7. The removal and reinstallation of your commercial appliance if it is installed in an inaccessible location or is not installed in accordance with published installation instructions.
8. Chemical damage is excluded from all warranty coverage.
9. Changes to the building, room, or location needed in order to make the commercial appliance operate correctly.

---

**DISCLAIMER OF IMPLIED WARRANTIES; LIMITATIONS OF REMEDIES**

CUSTOMER'S SOLE AND EXCLUSIVE REMEDY UNDER THIS LIMITED WARRANTY SHALL BE PRODUCT REPAIR AS PROVIDED HEREIN. IMPLIED WARRANTIES, INCLUDING WARRANTIES OF MERCHANTABILITY OR FITNESS FOR A PARTICULAR PURPOSE, ARE LIMITED TO ONE YEAR OR THE SHORTEST PERIOD ALLOWED BY LAW. WHIRLPOOL SHALL NOT BE LIABLE FOR INCIDENTAL OR CONSEQUENTIAL DAMAGES. SOME STATES AND PROVINCES DO NOT ALLOW THE EXCLUSION OR LIMITATION OF INCIDENTAL OR CONSEQUENTIAL DAMAGES, OR LIMITATIONS ON THE DURATION OF IMPLIED WARRANTIES OF MERCHANTABILITY OR FITNESS, SO THESE EXCLUSIONS OR LIMITATIONS MAY NOT APPLY TO YOU. THIS WARRANTY GIVES YOU SPECIFIC LEGAL RIGHTS AND YOU MAY ALSO HAVE OTHER RIGHTS, WHICH VARY FROM STATE TO STATE OR PROVINCE TO PROVINCE.

---

If you need service, please contact your authorized Maytag Commercial Laundry distributor. To locate your authorized Maytag Commercial Laundry distributor, or for web inquiries, visit [www.MaytagCommercialLaundry.com](http://www.MaytagCommercialLaundry.com).

9/07

For written correspondence:

Maytag Commercial Laundry Service Department  
2000 M-63 North  
Benton Harbor, Michigan 49085 USA

---

**Keep this book and your sales slip together for future reference. You must provide proof of purchase or installation date for in-warranty service.**

Write down the following information about your major appliance to better help you obtain assistance or service if you ever need it. You will need to know your complete model number and serial number. You can find this information on the model and serial number label located on the product.

Dealer name \_\_\_\_\_  
Address \_\_\_\_\_  
Phone number \_\_\_\_\_  
Model number \_\_\_\_\_  
Serial number \_\_\_\_\_  
Purchase date \_\_\_\_\_

# SÉCURITÉ DE LA LAVEUSE

## Votre sécurité et celle des autres est très importante.

Nous donnons de nombreux messages de sécurité importants dans ce manuel et sur votre appareil ménager. Assurez-vous de toujours lire tous les messages de sécurité et de vous y conformer.



Voici le symbole d'alerte de sécurité.

Ce symbole d'alerte de sécurité vous signale les dangers potentiels de décès et de blessures graves à vous et à d'autres.

Tous les messages de sécurité suivront le symbole d'alerte de sécurité et le mot "DANGER" ou "AVERTISSEMENT". Ces mots signifient :

**! DANGER**

**Risque possible de décès ou de blessure grave si vous ne suivez pas immédiatement les instructions.**

**! AVERTISSEMENT**

**Risque possible de décès ou de blessure grave si vous ne suivez pas les instructions.**

Tous les messages de sécurité vous diront quel est le danger potentiel et vous disent comment réduire le risque de blessure et ce qui peut se produire en cas de non-respect des instructions.

## IMPORTANTES INSTRUCTIONS DE SÉCURITÉ

**AVERTISSEMENT** : Pour réduire les risques d'incendie, de choc électrique ou de blessures lors de l'utilisation de la laveuse, suivre les précautions fondamentales dont les suivantes :

- Lire toutes les instructions avant d'utiliser la laveuse.
- Ne pas laver des articles qui ont été nettoyés ou lavés avec de l'essence ou imbibés d'essence, solvants de nettoyage à sec, ou autres substances inflammables ou explosives; ces substances peuvent émettre des vapeurs susceptibles de s'enflammer ou d'exploser.
- Ne pas ajouter d'essence, solvant de nettoyage à sec ou autre produit inflammable ou explosif dans l'eau de lavage. Ces substances peuvent émettre des vapeurs susceptibles de s'enflammer ou d'exploser.
- Dans certaines conditions, de l'hydrogène gazeux peut se former dans un circuit d'eau chaude qui n'a pas été utilisé pendant 2 semaines ou plus. LE GAZ HYDROGÈNE EST EXPLOSIBLE. Si le circuit d'eau chaude n'a pas été utilisé pendant une telle période, avant d'utiliser la laveuse, ouvrir tous les robinets d'eau chaude et laisser l'eau s'écouler pendant plusieurs minutes par chaque robinet. Ceci permettra l'évacuation de l'hydrogène gazeux accumulé. Comme ce gaz est inflammable, ne pas fumer ou utiliser une flamme nue au cours de cette période.
- Ne pas laisser des enfants jouer sur ou à l'intérieur de la laveuse. Bien surveiller les enfants lorsque la laveuse est utilisée à proximité d'enfants.
- Avant de mettre la laveuse au rebut ou hors de service, enlever la porte ou le couvercle.
- Ne pas tenter d'atteindre un article à l'intérieur de la cuve de la laveuse lorsque le tambour, la cuve ou l'agitateur est en mouvement.
- Ne pas installer ou remiser cette laveuse à un endroit où elle serait exposée aux intempéries.
- Ne pas modifier les organes de commande.
- Ne pas réparer ou remplacer un composant quelconque de la laveuse, ni entreprendre une opération de service, si ce n'est spécifiquement recommandé dans ce manuel ou dans un manuel d'instructions de réparations destiné à l'utilisateur; il est alors essentiel que la personne concernée comprenne ces instructions et soit compétente pour les exécuter.
- Voir "Spécifications électriques" pour les instructions de liaison à la terre.

**CONSERVEZ CES INSTRUCTIONS**

## EXIGENCES D'INSTALLATION

### Outillage et pièces

Rassembler les outils et pièces nécessaires avant de commencer l'installation. Les pièces fournies se trouvent dans le tambour de la laveuse.

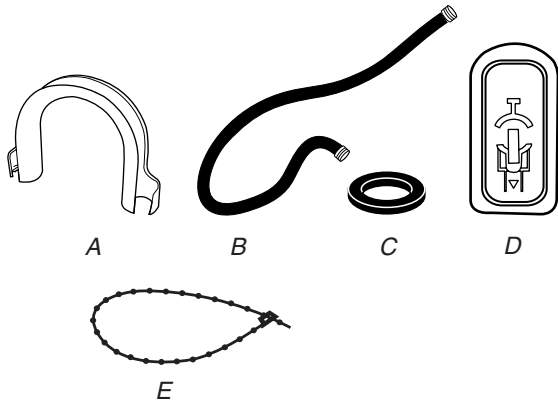
#### Outils nécessaires au raccordement des tuyaux d'arrivée d'eau

- Pince (ouverture jusqu'à 1 $\frac{1}{16}$ " [39,5 mm])
- Lampe de poche (facultative)

#### Outils nécessaires à l'installation

- Clés plates de 14 mm et 13 mm
- Niveau
- Cale en bois
- Règle ou mètre ruban

## Pièces fournies



- A. Bride de retenue pour tuyau de vidange (en forme de U)  
 B. Tuyaux d'arrivée d'eau (2)  
 C. Rondelles pour tuyau d'arrivée d'eau (4)  
 D. Bouchons pour les trous des boulons de transport (4)  
 E. Courroie perlée

### Pièces fournies pour les modèles PD :

- Came de verrouillage de la porte de service

### Pièces fournies pour les modèles PR :

- Biseau de lecteur de carte
- Attache métallique de lecteur de carte
- Vis (2)

### Autres pièces

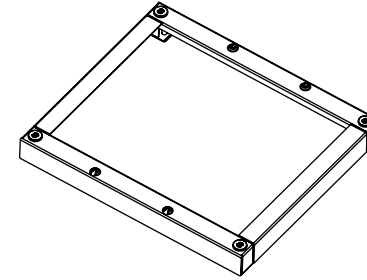
Il se peut que l'installation nécessite des pièces supplémentaires. Pour acheter l'un des articles indiqués ici, composer le numéro sans frais indiqué sur la couverture ou à la section "Assistance ou service".

Si vous avez	Vous devrez acheter
Évier de buanderie ou tuyau de rejet à l'égout plus haut que 96" (2,4 m)	Système de pompe de puisard (si non déjà disponible)
Égout surélevé	Évier de vidange standard de 20 gal. (76 L) de 30" (76,2 cm) de hauteur ou évier utilitaire et pompe de puisard (disponibles chez votre fournisseur local d'articles de plomberie)
Égout au plancher	Brise-siphon, pièce n° 285834; tuyau de vidange additionnel, pièce n° 8318155; et ensemble de connexion, pièce n° 285835
Tuyau de vidange trop court	Trousse de rallonge du tuyau de vidange de 4 pi (1,2 m), pièce n° 285863
Robinets d'eau hors d'atteinte des tuyaux d'admission	2 tuyaux d'admission d'eau plus longs : 6 pi (1,8 m), pièce n° 76314 10 pi (3 m), pièce n° 350008

## Options

### Piédestal

Vous avez la possibilité d'acheter des piédestaux séparément pour cette laveuse. Le piédestal augmentera la taille totale de la laveuse.



Piédestal facultatif

Hauteur du piédestal	Hauteur approximative avec laveuse	Couleur	Numéro de modèle
27 $\frac{7}{8}$ " (7,3 cm)	47,5" (120,7 cm)	Blanc	WHP040

## Exigences d'emplacement

Le choix d'un emplacement approprié pour la laveuse en améliore le rendement et réduit au minimum le bruit et le "déplacement" possible de la laveuse.

La laveuse peut être installée sous un comptoir personnalisé, dans un sous-sol, une salle de buanderie, un placard ou un encastrement. Voir "Système de vidange".

Il faut aussi prendre en compte les exigences d'emplacement des appareils voisins. C'est à l'utilisateur qu'incombe la responsabilité de réaliser une installation correcte.

### Il vous faudra

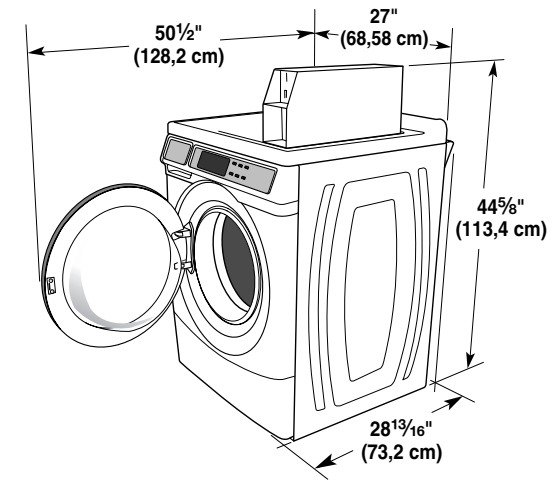
- Un chauffe-eau configuré pour fournir de l'eau à 120°F (49°C) à la laveuse.
- Une prise électrique reliée à la terre située à moins de 6 pi (1,8 m) du cordon d'alimentation électrique fixé à l'arrière de la laveuse. Voir "Spécifications électriques".
- Des robinets d'eau chaude et d'eau froide situés à moins de 4 pi (1,2 m) des robinets d'admission d'eau chaude et d'eau froide et une pression d'eau de 20-100 lb/po<sup>2</sup> (137,9-689,6 kPa).
- Un plancher de niveau ayant une pente maximale de 1" (2,5 cm) sous l'ensemble de la laveuse. L'installation de la laveuse sur des surfaces de sol molles, telles que tapis ou surfaces avec sous-couche en mousse n'est pas recommandée.
- Un plancher robuste et solide capable de soutenir le poids total de la laveuse (eau et charge) de 400 lb (180 kg).

Ne pas faire fonctionner la laveuse à des températures inférieures à 32°F (0°C). Une quantité d'eau peut demeurer dans la laveuse et causer des dommages à des températures basses.

### Dégagements de séparation à respecter

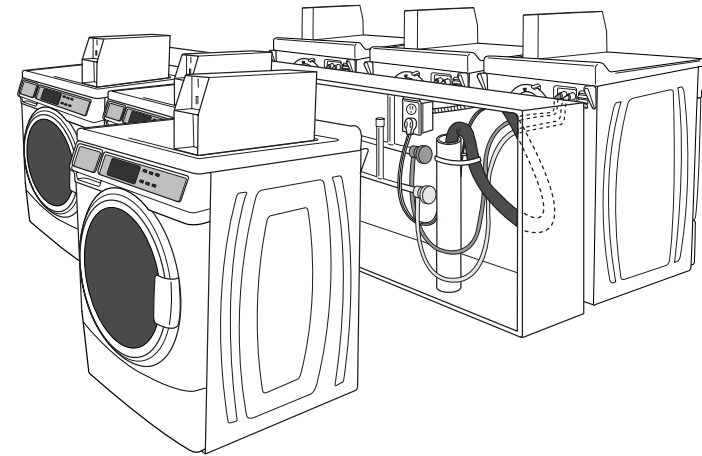
- L'emplacement doit être assez grand pour permettre d'ouvrir complètement la porte de la laveuse.
- Prévoir davantage d'espace pour faciliter l'installation et l'entretien. La porte s'ouvre à plus de 90° et n'est pas réversible.
- Un espace supplémentaire peut être requis pour les moulures de porte et de plancher et pour les plinthes.
- Un espace supplémentaire de 1" (2,5 cm) de tous les côtés de la laveuse est recommandé pour réduire le transfert du bruit.
- Il faut aussi prendre en compte l'espace requis entre les appareils voisins.

### Dimensions de la laveuse



*La porte n'est pas réversible.*

Un système de vidange au plancher doit être installé sous la cloison. Des cloisons pré-fabriquées avec prises de courant, canalisations d'arrivée d'eau et aménagements pour installation de vidangeage ne doivent être installées que là où les codes locaux l'autorisent.



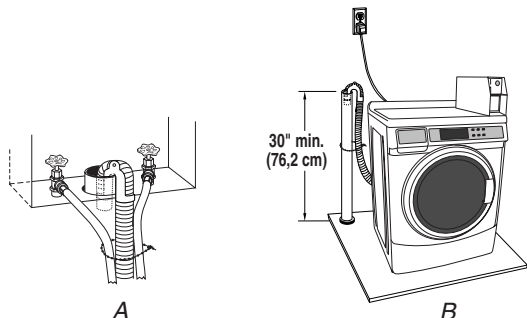


## Système de vidange

La laveuse peut être installée en utilisant le système de rejet à l'égout (au plancher ou mural), le système de vidange de l'évier de buanderie ou le système de vidange au plancher. Sélectionner la méthode d'installation du tuyau de vidange selon les besoins. Voir "Outillage et pièces".

### Système de vidange avec tuyau de rejet à l'égout - mural ou au plancher (vues A et B)

Le système de rejet à l'égout nécessite un tuyau d'un diamètre minimum de 2" (5 cm). La capacité minimale d'acheminement ne doit pas être inférieure à 17 gal. (64 L) par minute. Le sommet du tuyau de rejet à l'égout doit être au moins à 30" (76,2 cm) de hauteur et au maximum à 96" (2,4 m) de la base de la laveuse.



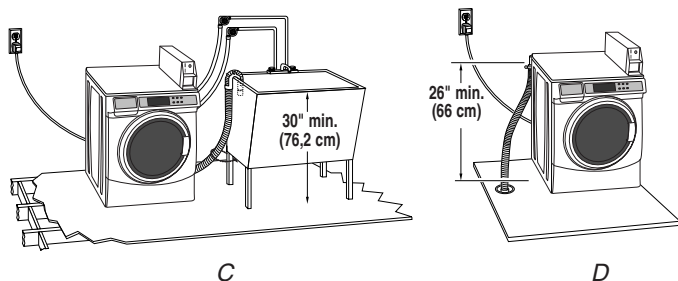
### Système de vidange avec évier de buanderie (vue C)

L'évier de buanderie doit avoir une capacité minimale de 20 gal. (76 L). La partie supérieure de l'évier de buanderie doit être à au moins 30" (76,2 cm) au-dessus du plancher.

### Système de vidange au plancher (vue D)

Le système de vidange au plancher nécessite un brise-siphon qui peut être acheté séparément. Voir "Outillage et pièces".

Le brise-siphon doit être au moins à 28" (71 cm) de la base de la laveuse. Des tuyaux supplémentaires peuvent être requis.



## Spécifications électriques

### ⚠ AVERTISSEMENT



#### Risque de choc électrique

**Brancher sur une prise à 3 alvéoles reliée à la terre.**

**Ne pas enlever la broche de liaison à la terre.**

**Ne pas utiliser un adaptateur.**

**Ne pas utiliser un câble de rallonge.**

**Le non-respect de ces instructions peut causer un décès, un incendie ou un choc électrique.**

- Une alimentation de 120 volts, 60 Hz, CA seulement, de 15 ou 20 ampères, protégée par un fusible est requise. On recommande d'utiliser un fusible ou un disjoncteur temporisé. Il est recommandé de raccorder l'appareil sur un circuit distinct exclusif à cet appareil.
- Cette laveuse comporte un cordon d'alimentation électrique à trois broches pour liaison à la terre.
- Pour minimiser les risques de choc électrique, on doit brancher le cordon sur une prise de courant de configuration correspondante, à 3 alvéoles, reliée à la terre et installée conformément aux codes et règlements locaux. Si une prise de courant de configuration correspondante n'est pas disponible, le client a la responsabilité et l'obligation de faire installer par un électricien qualifié une prise de courant correctement reliée à la terre.
- Si les codes le permettent et si on utilise un conducteur distinct de liaison à la terre, il est recommandé qu'un électricien qualifié vérifie la qualité de la liaison à la terre.

- Ne pas utiliser une tuyauterie de gaz pour le raccordement à la terre.
- En cas de doute quant à la qualité de la liaison à la terre de la laveuse, consulter un électricien qualifié.
- Ne pas installer un fusible dans le conducteur neutre ou le conducteur de liaison à la terre.

### INSTRUCTIONS DE LIAISON À LA TERRE

#### Pour une laveuse reliée à la terre et connectée par un cordon :

Cette laveuse doit être reliée à la terre. En cas d'anomalie de fonctionnement ou de panne, la liaison à la terre réduira le risque de choc électrique en offrant au courant électrique un itinéraire d'évacuation de moindre résistance. Cette laveuse est alimentée par un cordon électrique comportant un conducteur relié à la terre et une fiche de branchement munie d'une broche de liaison à la terre. La fiche doit être branchée sur une prise de courant appropriée qui est bien installée et reliée à la terre conformément à tous les codes et règlements locaux.

**AVERTISSEMENT :** Le raccordement incorrect de cet appareil au conducteur de liaison à la terre peut susciter un risque de choc électrique. En cas de doute quant à la qualité de la liaison à la terre de l'appareil, consulter un électricien ou technicien d'entretien qualifié.

Ne pas modifier la fiche de branchement fournie avec l'appareil – si la fiche ne correspond pas à la configuration de la prise de courant, demander à un électricien qualifié d'installer une prise de courant convenable.

#### Pour une laveuse raccordée en permanence :

Cette laveuse doit être raccordée à un système de câblage permanent en métal relié à la terre ou un conducteur relié à la terre doit être en fonction avec les conducteurs de circuit et raccordés à la borne de liaison à la terre ou la borne sur l'appareil ménager.

## INSTRUCTIONS D'INSTALLATION

### Dépose du système de transport

### ⚠ AVERTISSEMENT

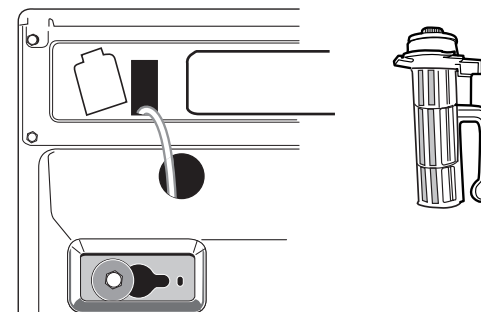
#### Risque du poids excessif

Utiliser deux ou plus de personnes pour déplacer et installer la laveuse.

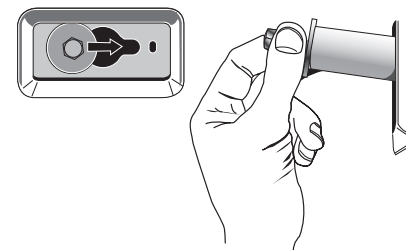
Le non-respect de cette instruction peut causer une blessure au dos ou d'autre blessure.

**IMPORTANT :** Positionner la laveuse de sorte que l'arrière de la laveuse soit à environ 3 pi (90 cm) de son emplacement final.

On trouve sur le panneau arrière de la laveuse 4 boulons bleus qui soutiennent le système de suspension durant le transport. Ces boulons retiennent aussi le cordon d'alimentation électrique à l'intérieur de la laveuse jusqu'à ce que les boulons soient retirés.



1. Laisser la laveuse en position verticale pendant que l'on ôte les boulons bleus.
2. Au moyen d'une clé de 13 mm, desserrer chacun des boulons.
3. Une fois le boulon desserré, le déplacer au centre du trou et retirer complètement le boulon, y compris la cale d'espacement en plastique couvrant le boulon.

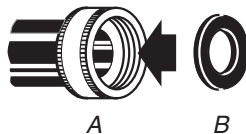


4. Une fois que les 4 boulons ont été retirés, jeter les boulons et les cales d'espacement. Puis tirer le cordon d'alimentation électrique à travers l'ouverture du panneau arrière et obturer le trou avec le bouchon fourni.
5. Obturer les trous des boulons avec les 4 bouchons pour les trous des boulons de transport.

**REMARQUE :** Si la laveuse doit être transportée à une date ultérieure, appeler le centre de service local. Pour éviter des dommages concernant la suspension et la structure, votre appareil doit être correctement monté pour réinstallation ultérieure par un technicien certifié.

## Raccordement des tuyaux d'alimentation

Insérer les rondelles plates neuves (fournies) dans chaque extrémité des tuyaux d'arrivée d'eau. Insérer fermement les rondelles dans les raccords.

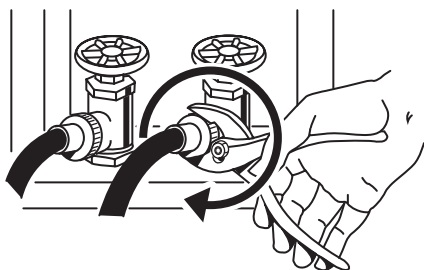


A. Raccord  
B. Rondelle

### Connecter les tuyaux d'alimentation aux robinets d'eau

S'assurer que le tambour de la laveuse est vide.

1. Fixer un tuyau au robinet d'eau chaude. Visser complètement le raccord à la main pour qu'il comprime le joint.
2. Fixer un tuyau au robinet d'eau froide. Visser complètement le raccord à la main pour qu'il comprime le joint.
3. À l'aide d'une pince, serrer les raccords en effectuant deux tiers de tour supplémentaires.

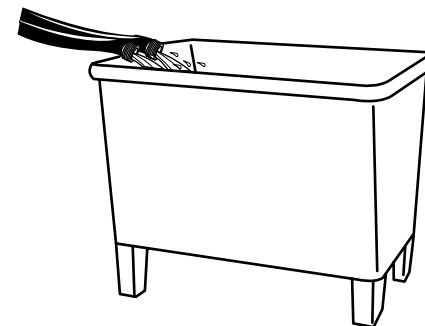


**REMARQUE :** Ne pas serrer excessivement ou utiliser du ruban adhésif ou un calfeutrant sur la valve. Les valves risquent d'être endommagées.

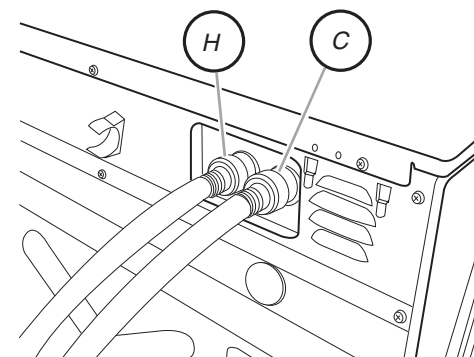
### Purger les canalisations d'eau

- Laisser s'écouler l'eau des deux robinets et des tuyaux d'alimentation dans un évier de buanderie, un tuyau de rejet à l'égout ou un seau, pour éliminer les particules se trouvant dans les canalisations d'eau qui pourraient obstruer les tamis de la valve d'arrivée d'eau.

- Vérifier la température de l'eau pour s'assurer que le tuyau d'eau chaude est connecté au robinet d'eau chaude et que le tuyau d'eau froide est connecté au robinet d'eau froide.



### Connecter les tuyaux d'arrivée d'eau à la laveuse



H. Tuyau d'arrivée d'eau chaude  
C. Tuyau d'arrivée d'eau froide

1. Fixer le tuyau d'eau chaude à la valve du tuyau d'arrivée d'eau chaude (H) de la laveuse. Visser complètement le raccord à la main pour qu'il comprime le joint.
2. Fixer le tuyau d'eau froide au robinet d'eau froide (C) de la laveuse. Visser complètement le raccord à la main pour qu'il comprime le joint.
3. À l'aide d'une pince, serrer les raccords en effectuant deux tiers de tour supplémentaires.

**REMARQUE :** Ne pas serrer excessivement. Le raccord risque d'être endommagé.

4. Ouvrir les robinets d'eau complètement et vérifier s'il y a des fuites.

**REMARQUE :** Remplacer les tuyaux d'arrivée d'eau après 5 ans d'utilisation pour réduire le risque de défaillance. Prendre note de la date d'installation ou de remplacement des tuyaux, pour référence ultérieure.

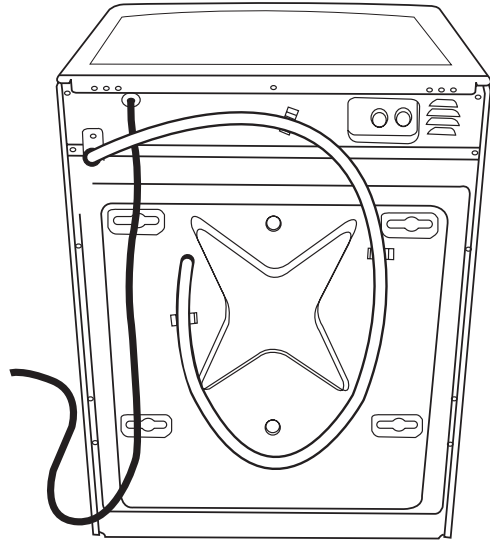
Inspecter périodiquement les tuyaux; les remplacer en cas de renflement, de déformation, de coupure, d'usure ou si une fuite se manifeste.

## Acheminement du tuyau de vidange

Le bon acheminement du tuyau de vidange protège vos planchers contre les dommages imputables à une fuite d'eau. Lire et suivre ces instructions.

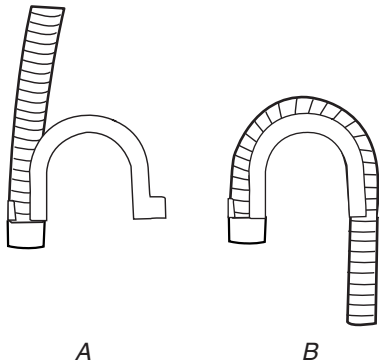
### Retirer le tuyau de vidange de la laveuse

Tirer doucement pour dégager le tuyau d'évacuation (matériau ondulé) des agrafes d'arrimage.



### Décharge de l'eau de lavage dans un évier de buanderie ou tuyau de rejet à l'égout

Connecter la bride de retenue pour tuyau de vidange sur le tuyau de vidange ondulé.



A. Emboîter l'une ou l'autre des extrémités de la bride de retenue pour tuyau de vidange sur le tuyau de vidange, au point de commencement des ondulations.

B. Replier le tuyau de vidange sur la bride de retenue du tuyau de vidange et l'emboîter dans la bride de retenue.

### Pour empêcher l'eau de vidange de refluer dans la laveuse :

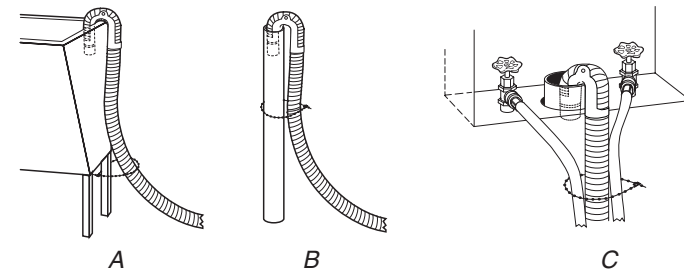
- Ne pas redresser le tuyau de vidange ni forcer l'excédent de tuyau de vidange dans le tuyau de rejet à l'égout. Le tuyau doit être bien immobilisé, tout en permettant le passage d'air.
- Ne pas mettre l'excédent du tuyau de vidange dans l'évier de buanderie.

### Égout au plancher

Il vous faudra peut-être des pièces supplémentaires. Voir Égout au plancher dans "Outillage et pièces".

## Immobilisation du tuyau de vidange

1. Faire passer le cordon d'alimentation électrique par-dessus la laveuse.
2. Déplacer la laveuse à son emplacement final.
3. Placer le tuyau de vidange dans l'évier de buanderie ou le tuyau de rejet à l'égout. Voir les illustrations A et B.



4. Si les robinets d'eau et le tuyau rigide de rejet à l'égout sont placés en retrait, introduire l'extrémité en crochet du tuyau de vidange dans le tuyau rigide de rejet à l'égout. Voir l'illustration C.

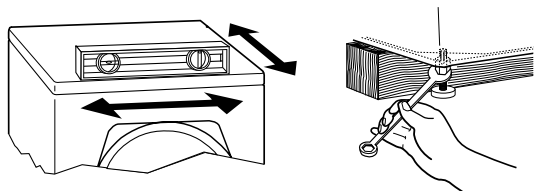
### REMARQUES :

- Ne pas forcer l'excédent de tuyau de vidange dans l'arrière de la laveuse.
- Pour éviter un effet de siphon, ne pas assurer l'étanchéité à la jonction entre le tuyau de vidange et le tuyau de rejet à l'égout.

## Réglage de l'aplomb de la laveuse

Un bon aplomb de la laveuse évite le bruit et les vibrations excessifs.

1. Placer un niveau sur le bord supérieur de la laveuse pour contrôler l'aplomb, d'abord transversalement, puis dans le sens avant arrière.



Si la laveuse est placée contre un mur, on doit l'écarter légèrement du mur avant de l'incliner vers l'arrière. Si la laveuse n'est pas d'aplomb, soulever l'avant de la laveuse avec une cale de bois et ajuster la position des pieds selon le besoin; soulever ensuite l'arrière de la laveuse et ajuster la longueur des pieds selon le besoin. Répéter ces opérations jusqu'à l'obtention d'un aplomb correct de la laveuse.

2. Vérifier que les quatre pieds sont stables et reposent sur le sol. Vérifier ensuite que l'appareil est parfaitement d'aplomb (utiliser un niveau).
3. Après avoir établi l'aplomb correct de la laveuse, utiliser une clé plate de 14 mm pour serrer fermement l'écrou de chaque pied contre la caisse de la laveuse.

**IMPORTANT :** Les 4 pieds doivent être bien serrés. Si les écrous ne sont pas bloqués contre la caisse de la laveuse, la laveuse peut vibrer.

4. La laveuse ne doit pas bouger d'avant en arrière, latéralement ou transversalement lorsqu'on appuie sur les bords supérieurs.
5. Faire glisser la laveuse à son emplacement final.
6. Vérifier le bon aplomb de la laveuse.

## Achever l'installation

1. Consulter les spécifications électriques. Vérifier que la tension électrique disponible est correcte et que la prise de courant est convenablement reliée à la terre. Voir "Spécifications électriques".
2. Vérifier que toutes les pièces sont maintenant installées. S'il reste une pièce, passer en revue les différentes étapes pour découvrir laquelle aurait été oubliée.
3. S'assurer d'avoir récupéré tous vos outils.
4. Jeter ou recycler tous les matériaux d'emballage.
5. Vérifier que chaque robinet d'eau est ouvert.
6. Vérifier s'il y a des fuites autour des robinets et des tuyaux d'arrivée d'eau.

### **⚠ AVERTISSEMENT**



#### **Risque de choc électrique**

**Brancher sur une prise à 3 alvéoles reliée à la terre.**

**Ne pas enlever la broche de liaison à la terre.**

**Ne pas utiliser un adaptateur.**

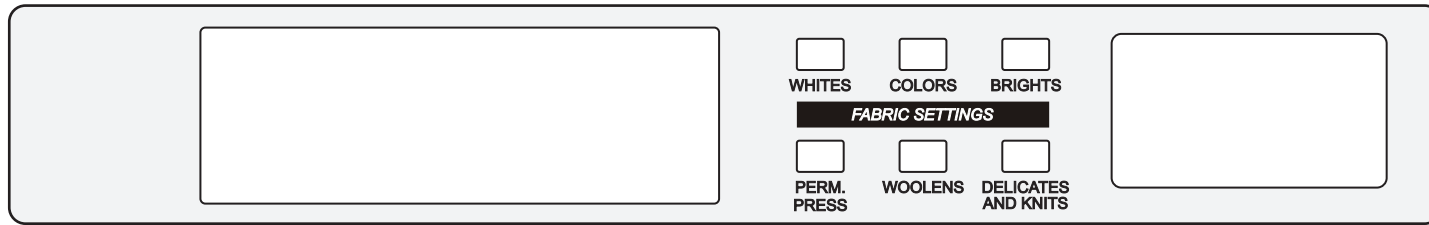
**Ne pas utiliser un câble de rallonge.**

**Le non-respect de ces instructions peut causer un décès, un incendie ou un choc électrique.**

7. Brancher sur une prise à 3 alvéoles reliée à la terre.
8. Pour tester le fonctionnement de la laveuse ou effectuer le nettoyage, mesurer la moitié de la quantité de détergent HE haute efficacité recommandée par le fabricant pour une charge de taille moyenne. Verser le détergent dans le distributeur de détergent. Sélectionner n'importe quel programme et laisser la laveuse exécuter un programme complet.



# INSTRUCTIONS DE CONFIGURATION



Cette laveuse peut contenir jusqu'à 16 lb (7 kg) de linge.

1. Modèles PD : Insérer des pièces jusqu'à ce que "SELECT CYCLE" (sélectionner le programme) clignote sur l'affichage.  
Modèles PR : Une carte de débit est exigée à la place des pièces. Au mode Débit avancé, le solde restant sur la carte s'affiche lorsqu'une carte de débit est insérée dans le lecteur.
2. La porte doit rester fermée avant la sélection du programme.
3. Appuyer sur la touche de réglage du tissu pour le programme de lavage désiré. Après la mise en marche du programme, l'heure s'affichera et le compte à rebours commencera.
4. Quand un programme est interrompu durant l'ouverture de la porte, "RESELECT CYCLE" (sélectionner à nouveau le programme) clignotera sur l'affichage. Pour remettre la laveuse en marche, fermer la porte et appuyer sur n'importe quelle touche.

## Information générale pour l'utilisateur

"- - -" ÉTAT NON OPÉRATIONNEL - Ces lignes sur l'affichage indiquent que l'appareil n'est pas opérationnel. Accéder au mode de configuration pour voir le code de diagnostic.

AFFICHAGE DE "0 MINUTES" - Ceci indique qu'il n'est pas possible de faire fonctionner l'appareil. L'information sur les pièces insérées ou les entrées de cartes de débit sera mémorisée mais ne peut être utilisée avant le rétablissement du fonctionnement normal par une manœuvre d'ouverture/fermeture de la porte. En cas de défaillance du contacteur de porte, on doit le remplacer pour pouvoir rétablir le fonctionnement normal.

COLD START (Mise en marche à froid pour la première utilisation) - L'appareil a été programmé à l'usine comme suit :

Laveuse	Période de lavage de 14 minutes
	3 rinçages (rinçage supplémentaire non activé)
	Prix du lavage : 1,75 \$ (modèles PD)
	Prix du lavage : 0,00 \$ (modèles PR)

WARM START (mise en marche à chaud après une panne de courant) - Quelques secondes après le rétablissement de l'alimentation électrique, si un programme était en cours au moment de la panne, "RESELECT CYCLE" (sélectionner à nouveau le programme) clignote sur l'affichage, pour indiquer qu'il faut appuyer sur une touche pour remettre la laveuse en marche.

DOOR LOCK (verrouillage de la porte) - La porte sera verrouillée lorsque le programme se mettra en marche. La porte restera verrouillée jusqu'à la fin du programme ou pendant environ 2 minutes après une interruption d'alimentation.

PRICING (tarification) - Une fois la porte ouverte suite à un programme, l'affichage indique le prix du programme (à moins de réglage gratuit). Au fur et à mesure que les pièces sont insérées ou que les entrées de carte de débit arrivent, l'affichage indiquera les étapes à suivre par l'utilisateur pour lancer un programme.

PROGRAMMES GRATUITS - Pour ceci, on règle le prix de l'utilisation à zéro; l'affichage présente alors 'SELECT CYCLE' (sélectionner le programme) plutôt que le prix d'une utilisation.

PRÊT POUR CARTE DE DÉBIT - Cet appareil est préconfiguré pour l'utilisation des cartes de débit; il est compatible avec plusieurs systèmes de paiement par carte de débit, mais il n'est pas fourni avec un lecteur de carte de débit. Pour configurer correctement la machine, voir les instructions fournies par le fabricant du lecteur de carte de débit. Pour un modèle converti pour l'utilisation d'une carte de débit Génération 1, les impulsions de débit sont équivalentes à l'insertion d'une pièce.

AFFICHAGE - Après l'installation initiale et le branchement de l'appareil, l'affichage présente "0 MINUTES". Après le branchement de l'appareil et l'ouverture puis la fermeture de la porte, l'affichage présente le prix. Si la laveuse est réglée pour l'utilisation gratuite, "SELECT CYCLE" (sélectionner le programme) clignote sur l'affichage.


## Procédures de réglage des systèmes de commande

**IMPORTANT** : Lire la totalité des instructions avant l'utilisation.

Modèles PD/PS : Insérer la clé de la porte d'accès; tourner et soulever pour enlever la porte d'accès.

Modèles PR : Après installation du lecteur de carte de débit (conformément aux instructions du fabricant du lecteur de carte), pour accéder au mode de paramétrage, insérer la carte de paramétrage manuel (fournie par le fabricant du lecteur de carte) dans le lecteur de carte. Si une carte de paramétrage manuel n'est pas disponible, on peut également enlever le connecteur AA1 sur la carte des circuits pour accéder au mode de paramétrage manuel.

**⚠ AVERTISSEMENT**



**Risque de choc électrique**  
**Déconnecter la source de courant électrique avant l'entretien.**  
**Replacer pièces et panneaux avant de faire la remise en marche.**  
**Le non-respect de ces instructions peut causer un décès ou un choc électrique.**

**IMPORTANT:** Débrancher la laveuse ou déconnecter la source de courant électrique avant d'ouvrir la console.

Pour accéder au connecteur AA1, déconnecter la source de courant électrique, ouvrir la console, débrancher la prise sur AA1, fermer la console.

**⚠ AVERTISSEMENT**



**Risque de choc électrique**  
**Brancher sur une prise à 3 alvéoles reliée à la terre.**  
**Ne pas enlever la broche de liaison à la terre.**  
**Ne pas utiliser un adaptateur.**  
**Ne pas utiliser un câble de rallonge.**  
**Le non-respect de ces instructions peut causer un décès, un incendie ou un choc électrique.**

Brancher la laveuse ou reconnecter la source de courant électrique. L'appareil est maintenant au mode de paramétrage.

Pour le réglage des systèmes de commande, on utilise les touches de réglage inférieures (tissu) et l'affichage numérique.

L'affichage peut présenter 4 chiffres et/ou lettres et un point décimal, qui indiquent les codes de paramétrage et des valeurs connexes disponibles pour la programmation de l'appareil.

### UTILISATION DES TOUCHES POUR LA PROGRAMMATION DES SYSTÈMES DE COMMANDE

1. La touche PERMANENT PRESS permet la sélection des valeurs associées aux codes de paramétrage. Une pression sur la touche fait augmenter la valeur par incréments; si on maintient la pression sur la touche, la valeur affichée augmente rapidement.
2. La touche WOOLENS commande la progression parmi les codes de paramétrage. Une pression sur la touche provoque le passage au code de paramétrage suivant; une pression constante sur la touche commande le défilement automatique des codes à raison de 1 code par seconde.
3. La touche DELICATES & KNITS permet de sélectionner/désélectionner les options.

### Paramétrage pour mise en marche

Avant de poursuivre, noter que malgré le grand nombre d'options disponibles, le propriétaire de l'appareil peut décider de simplement débiter sa nouvelle machine commerciale, la brancher et la raccorder; elle sera alors parfaitement opérationnelle.

Les appareils sont pré-réglés à l'usine pour une période de lavage de 14 minutes et pour 3 rinçages (aucun rinçage supplémentaire).

### CODES DE CONFIGURATION

La touche WOOLENS permet de passer d'un code à un autre. La touche PERMANENT PRESS permet de changer de valeur de code. La touche DELICATES & KNITS permet de sélectionner/désélectionner les options.

MODÈLES PR : Les codes de paramétrage sont les mêmes que pour le modèle "PD", sauf indication contraire.

Le code de paramétrage est indiqué par le ou les deux caractères sur la gauche. La valeur du code de paramétrage est indiquée par les deux ou trois caractères sur la droite.



## EXPLICATION DES CODES

607	6	<b>PRIX DE PROGRAMME ORDINAIRE</b>
07		Ceci représente le nombre de pièces de 0,25 \$ (pièce 1); réglage dans la plage 0-39. (Voir VALEUR DE LA PIÈCE 1). Pour faire augmenter le chiffre affiché entre 0 et 39, appuyer sur la touche PERMANENT PRESS. Réglage actuel pour 7 pièces de 0,25 \$ = 1,75 \$. MODÈLE PR SEULEMENT : Réglage initial pour 0 pièce de 0,25 \$. MODÈLE PS SEULEMENT : Ceci représente le nombre de manœuvres à effectuer sur la glissière d'insertion des pièces pour la mise en marche de la laveuse. 601 représente une manœuvre de la glissière à pièces de monnaie. Appuyer une fois sur la touche WOOLENS pour passer au code suivant.
714	7	<b>DURÉE DU LAVAGE</b>
14		Nombre de minutes de la période de LAVAGE. L'appareil est pré-réglé à l'usine pour 14 minutes. Sélectionner une valeur comprise entre 9 et 17 minutes : appuyer sur la touche PERMANENT PRESS. Appuyer une fois sur la touche WOOLENS pour passer au code suivant.
800	8	<b>OPTION RINÇAGE SUPPLÉMENTAIRE</b>
00		Cette option peut être SÉLECTIONNÉE ('ON') ou PAS SÉLECTIONNÉE ('OFF'). Pas sélectionnée ('OFF').
Ar		Sélectionnée ('ON'). Appuyer une fois sur la touche DELICATES & KNITS pour cette sélection. Appuyer une fois sur la touche WOOLENS pour passer au code suivant.
900	9	<b>OPTION DE COMPTAGE DU NOMBRE DE PROGRAMMES</b>
00		Cette option peut être SÉLECTIONNÉE ('ON') ou PAS SÉLECTIONNÉE ('OFF'). Pas sélectionnée ('OFF').
0C		Option sélectionnée ('ON') et impossibilité de désélection. Appuyer 3 fois consécutives sur la touche DELICATES & KNITS pour sélectionner 'ON' (active). Lorsque 'ON' a été sélectionné, on ne peut PAS désélectionner l'option. Appuyer une fois sur la touche WOOLENS pour passer au code suivant.
1.00	1.	<b>OPTION COMPTEUR DE MONNAIE</b>
00		Cette option peut être SÉLECTIONNÉE ('ON') ou PAS SÉLECTIONNÉE ('OFF'). Pas sélectionnée ('OFF').
0C		Option sélectionnée ('ON'). Appuyer 3 fois consécutives sur la touche DELICATES & KNITS pour sélectionner 'ON' (active); appuyer 3 fois sur la touche pour désélectionner l'option. Le compteur passe de 'OFF' (inactive) à 'ON' (active). Appuyer une fois sur la touche WOOLENS pour passer au code suivant.
C0		Option sélectionnée "ON" et impossibilité de désélection. Pour sélectionner 'ON' avec impossibilité de désélection, sélectionner d'abord 'ON'. Puis en moins de 2 secondes appuyer deux fois sur la touche DELICATES & KNITS et une fois sur la touche PERMANENT PRESS et quitter le mode de paramétrage.

2.00	2.	<b>OPTIONS DE PRIX SPÉCIAL</b>
		Cette option peut être SÉLECTIONNÉE ('ON') ou PAS SÉLECTIONNÉE ('OFF').
00		Pas sélectionnée ('OFF').
SP		Option sélectionnée ('ON'). Appuyer une fois sur la touche DELICATES & KNITS pour cette sélection.

Si l'OPTION DE PRIX SPÉCIAL est sélectionnée, on a accès aux codes 3.XX à 9.XX.  
Appuyer une fois sur la touche WOOLENS pour passer au code suivant.

### Options à utiliser si PRIX SPÉCIAL est sélectionné.

3.07	3.	<b>PRIX POUR PROGRAMME SPÉCIAL</b>
07		Ceci représente le nombre de pièces de 0,25 \$ (pièce 1); réglage dans la plage 0-39. (Voir VALEUR DE LA PIÈCE 1.) Pour faire augmenter le chiffre affiché entre 0 et 39, appuyer sur la touche PERMANENT PRESS. Réglage actuel pour 7 pièces de 0,25 \$ = 1,75 \$. MODÈLE PR SEULEMENT : Réglage initial pour 0 pièce de 0,25 \$. Appuyer une fois sur la touche WOOLENS pour passer au code suivant.
5.00	5.	<b>HORLOGE - MINUTES</b>
00		Sélection du nombre de minutes pour l'HORLOGE; sélectionner une valeur comprise entre 0 et 59 minutes : appuyer sur la touche PERMANENT PRESS. Appuyer une fois sur la touche WOOLENS pour passer au code suivant.
6.00	6.	<b>HORLOGE - HEURES</b> (REMARQUE : Utilisation du format 24 h)
00		Sélection du nombre d'heures pour l'HORLOGE; sélectionner une valeur comprise entre 0 et 23 heures : appuyer sur la touche PERMANENT PRESS. Appuyer une fois sur la touche WOOLENS pour passer au code suivant.
7.00	7.	<b>PRIX SPÉCIAL - HEURE DE COMMENCEMENT</b> (REMARQUE : Utilisation du format 24 h)
00		Sélection de l'heure de commencement pour cette tarification; comprise entre 0 et 23 heures. Sélectionner l'heure de commencement en appuyant sur la touche PERMANENT PRESS. Appuyer sur la touche WOOLENS pour passer au code suivant.
8.00	8.	<b>PRIX SPÉCIAL - HEURE D'EXPIRATION</b> (REMARQUE : Utilisation du format 24 h)
00		Sélection de l'heure d'expiration pour cette tarification; de 0 à 23 heures. Sélectionner STOP HOUR (heure d'expiration) en appuyant sur la touche PERMANENT PRESS. Appuyer une fois sur la touche WOOLENS pour passer au code suivant.



9.10	9.	<b>JOUR POUR PRIX SPÉCIAL</b>
10		Ceci représente le jour de la semaine sélectionnée, et la sélection de la tarification spéciale pour ce jour. Un chiffre suivi de '0' indique que cette option n'est pas sélectionnée pour le jour particulier concerné (9.10). Un chiffre suivi d'un 'S' indique que cette option est sélectionnée pour le jour concerné (9.1S). Pour changer la valeur de '0' et de 'S', utiliser la touche "DELICATES & KNITS".  Pour sélectionner les jours de la semaine (1 à 7), appuyer sur la touche PERMANENT PRESS.

**Sortie du code de configuration "9" : le jour de la semaine doit s'afficher.**

Jours de la semaine			JOUR POUR PRIX SPÉCIAL
			S'affichera si sélectionné
10	Jour 1	Dimanche	1S
20	Jour 2	Lundi	2S
30	Jour 3	Mardi	3S
40	Jour 4	Mercredi	4S
50	Jour 5	Jeudi	5S
60	Jour 6	Vendredi	6S
70	Jour 7	Samedi	7S

Appuyer une fois sur la touche WOOLENS pour passer au code suivant

A.00	A.	<b>OPTION AFFICHAGE DU CONTENU DU COFFRE</b>
		Cette option peut être SÉLECTIONNÉE ('ON') ou PAS SÉLECTIONNÉE ('OFF').
00		Pas sélectionnée ('OFF').
SC		Option sélectionnée ('ON').  Appuyer une fois sur la touche DELICATES & KNITS pour cette sélection. Lorsque l'option est sélectionnée, le montant d'argent et/ou le nombre de programmes (si on a sélectionné le comptage) est visible lorsque la boîte à pièces a été enlevée.  Appuyer une fois sur la touche WOOLENS pour passer au code suivant.

b.05	b.	<b>VALEUR DE LA PIÈCE 1</b>
05		Ceci représente la valeur de la pièce 1, en multiples de 0,05 \$. 05 = 0,25 \$. Par des pressions sur la touche PERMANENT PRESS, on peut sélectionner une valeur de 1 à 199 (multiples de 0,05 \$).  MODÈLE PS SEULEMENT : Ce paramètre présente le total de la vente, en multiples de 0,05 \$. Exemple : b.30 représente 1,50 \$.  Appuyer une fois sur la touche WOOLENS pour passer au code suivant.

C.20	C.	<b>VALEUR DE LA PIÈCE 2</b>
20		Ceci représente la valeur de la pièce 2, en multiples de 0,05 \$. 20 = 1,00 \$. MODÈLE PR SEULEMENT : Réglage actuel pour 0,25 \$ Par des pressions sur la touche PERMANENT PRESS, on peut sélectionner une valeur comprise entre 1 et 199 (multiples de 0,05 \$).  Appuyer une fois sur la touche WOOLENS pour passer au code suivant.

d.00	d.	<b>OPTION GLISSIÈRE À PIÈCES</b>
		Cette option peut être SÉLECTIONNÉE ('ON') ou PAS SÉLECTIONNÉE ('OFF').
00		Pas sélectionnée ('OFF').
CS		Option sélectionnée "ON".  Appuyer 3 fois consécutives sur la touche DELICATES & KNITS pour cette sélection. Lorsqu'on sélectionne le mode de glissière à pièces, sélectionner une valeur b. égale à la valeur des pièces placées dans la glissière, en multiples de 0,05 \$. Paramétrer à l'étape 6 (prix pour programme ordinaire) et à l'étape 3 (prix pour programme spécial) le nombre de manœuvres de la glissière. Si l'installateur sélectionne le paramétrage 'CS' sur un modèle à pièces, l'appareil n'enregistrera pas les pièces.  Appuyer une fois sur la touche WOOLENS pour passer au code suivant.

E.00	E.	<b>OPTION AJOUT DE PIÈCES</b>
		Cette option peut être SÉLECTIONNÉE ('ON') ou PAS SÉLECTIONNÉE ('OFF'). Cette option commande l'affichage du nombre de pièces (pièce 1) à insérer, plutôt que d'un montant monétaire.
00		Pas sélectionnée ('OFF').
AC		Sélectionnée ('ON').  Appuyer 3 fois consécutives sur la touche DELICATES & KNITS pour cette sélection.  Appuyer une fois sur la touche WOOLENS pour passer au code suivant.

F.00	F.	<b>OPTION TARIFICATION AMÉLIORÉE</b>
00		Pas sélectionnée ('OFF').
CP		Cette option permet de configurer l'appareil avec des prix différents pour les programmes de lavage avec eau chaude, eau tiède et eau froide.
Su		Programme super-tarification activé. Cette option permet au client d'ajouter de l'argent pour rehausser sa sélection. Les codes de paramétrage 'H' et 'h.' ne s'affichent que si cette option a été préalablement activée.  Appuyer une fois sur la touche DELICATES & KNITS pour cette sélection.  Appuyer une fois sur la touche WOOLENS pour passer au code suivant.

H.01	H.	<b>PROGRAMME SUPER-TARIFICATION/AMÉLIORATION</b> (Omis, sauf si le programme super-tarification est activé)
01		Ceci représente le nombre de pièces 1 nécessaires pour l'accès au super programme à partir du programme de base.  Utiliser la touche PERMANENT PRESS pour sélectionner une valeur comprise entre 0 et 39.  Appuyer une fois sur la touche WOOLENS pour passer au code suivant.

h.01	h.	<b>TYPE DE SUPER PROGRAMME (Omis, sauf si le programme super-tarification est activé)</b>
01		Ceci représente l'option super programme/amélioration. Appuyer sur la touche PERMANENT PRESS pour sélectionner l'un des 3 niveaux d'amélioration : 01 = lavage amélioré, avec 3 minutes additionnelles de lavage/culbutage en plus de la durée programmée. 02 = rinçage supplémentaire pour tous les programmes. 03 = 01 et 02. Appuyer une fois sur la touche WOOLENS pour passer au code suivant.

J.Cd	J.	<b>OPTION PIÈCES/DÉBIT</b>
Cd		Sélection du paiement par pièces et par carte de débit.
C_		Paiement par pièces sélectionné; paiement par carte de débit désactivé.
_d		Paiement par carte de débit sélectionné, paiement par pièces désactivé. Appuyer 3 fois consécutives sur la touche DELICATES & KNITS pour cette sélection.
Ed		L'option de paiement améliorée/carte de débit est auto-sélectionnée lors de l'installation d'un lecteur de carte Génération 2 sur l'appareil. On ne peut sélectionner/désélectionner manuellement l'option Ed. Appuyer une fois sur la touche WOOLENS pour passer au code suivant.

L.00	L.	<b>OPTION SUPPRESSION DU PRIX</b>
		Lorsque cette option est sélectionnée, l'affichage présente le message 'ADD' (ajouter) ou 'AVAILABLE' (disponible) plutôt que le montant monétaire à ajouter. (Utilisation principalement avec l'emploi du paiement par carte de débit.)
00		Pas sélectionnée ('OFF').
PS		Sélectionnée ('ON'). Appuyer une fois sur la touche DELICATES & KNITS pour cette sélection. Appuyer une fois sur la touche WOOLENS pour passer au code suivant.

n.CE	n.	<b>OPTION EFFACEMENT DU MONTANT MÉMORISÉ</b>
		Lorsque cette option est sélectionnée, un montant conservé en mémoire est effacé après 30 minutes sans autre activité.
00		Pas sélectionnée ('OFF').
CE		Sélectionnée ('ON'). Appuyer une fois sur la touche DELICATES & KNITS pour cette sélection. Appuyer une fois sur la touche WOOLENS pour passer au code suivant.

r.800	r.	<b>VITESSE D'ESSORAGE LA PLUS ÉLEVÉE (EN RPM)</b>
800		Cette option peut être sélectionnée à partir des vitesses d'essorage suivantes : 600 rpm, 750 rpm, 800 rpm, 1000 (affichage de 999) rpm. Passer d'une vitesse à une autre en appuyant sur PERMANENT PRESS. Réglage actuel : 800 rpm. Appuyer une fois sur la touche WOOLENS pour passer au code suivant.

U.00	U.	<b>INCRÉMENT CENTIME</b>
00		Ceci représente la valeur de l'incrément de prix utilisé sur le modèle PR Génération 2 (paiement par carte de débit/amélioration). Appuyer sur la touche PERMANENT PRESS pour sélectionner une valeur comprise entre 0 et 4 centimes. Appuyer une fois sur la touche WOOLENS pour passer au code suivant.

A1.00	A1.	<b>DURÉE DE PRÉLAVAGE</b>
00		Nombre de minutes de la période de PRÉLAVAGE. Sélectionner 0 pour désactiver le pré-lavage ou sélectionner entre 2 et 7 minutes en appuyant sur la touche PERMANENT PRESS. Appuyer une fois sur la touche WOOLENS pour passer au code suivant.

A2.03	A2.	<b>DURÉE DE L'ESSORAGE FINAL</b>
03		Nombre de minutes de la période de l'essorage final à vitesse élevée. Sélectionner entre 3 et 8 minutes en appuyant sur la touche PERMANENT PRESS. Appuyer une fois sur la touche WOOLENS pour passer au code suivant.

**Si le compteur de programme (90C) est sélectionné, ce qui suit est vrai :**

100	Représente le nombre de programmes, en CENTAINES	1 02 = 200
200	Représente le nombre de programmes, en UNITÉS	2 25 = 25
Total = 225 programmes		

Cette information est "SEULEMENT AFFICHÉE"; on ne peut l'effacer.

Appuyer une fois sur la touche WOOLENS pour passer au code suivant.

**Si le compteur de monnaie (1.0C ou 1.C0) est sélectionné, ce qui suit est vrai :**

300	Nombre de dollars, en CENTAINES	3 01 = 100
400	Nombre de dollars, en UNITÉS	4 68 = 68
500	Nombre de CENTIMES.	5 75 = 75
Total = 168,75 \$		

FIN des PROCÉDURES DE CONFIGURATION.

**POUR QUITTER LE MODE DE PARAMÉTRAGE**

Modèle PD : Réinstaller la porte d'accès.

Modèle PR : Interrompre l'alimentation de l'appareil; ouvrir la console, remettre en place le connecteur AA1; fermer la console; rétablir l'alimentation de l'appareil.

## Mode de diagnostic de la laveuse

Pour accéder au "mode de diagnostic de la laveuse", appuyer d'abord sur la touche "Start Operating Setup" (Paramétrage pour mise en marche). Ensuite appuyer sur la touche DELICATES & KNITS pendant 1 seconde alors que l'un des codes de paramétrage 1 à 6 est actif et qu'un code de diagnostic est présent, ou lorsque dAS est affiché alors qu'on utilise le système de saisie de données Maytag.

Lors du passage au mode de diagnostic, l'ensemble de l'affichage clignote, un programme en cours est annulé, l'information de paiement mémorisée est effacée et les codes de diagnostic sont effacés. Si l'affichage d'un code de diagnostic persiste, on doit résoudre l'anomalie avant que les options de programme suivantes puissent être mises en œuvre.

Cinq moyens sont disponibles pour le lancement de l'activité d'un programme à partir du mode de diagnostic, comme suit :

1. Programme de nettoyage de la laveuse - Alors que l'ensemble de l'affichage clignote, ce programme est mis en marche en appuyant sur la touche BRIGHTS.  
Utiliser le programme Nettoyage de la laveuse une fois par mois pour que l'intérieur de votre laveuse reste frais et propre. Ce programme consomme un niveau d'eau élevé. Utiliser avec une tablette de nettoyant pour laveuse AFFRESH™ ou de l'agent de blanchiment au chlore liquide pour bien nettoyer l'intérieur de votre machine à laver. Ce programme ne doit pas être interrompu. Voir "Nettoyage de la laveuse".  
**IMPORTANT** : Ne pas mettre de vêtements ou d'autres articles dans la laveuse lors du programme de nettoyage de la laveuse. Exécuter ce programme avec un tambour de lavage vide.
2. Crédit pour programme - Alors que l'ensemble de l'affichage clignote, une pression sur la touche PERMANENT PRESS commande l'inscription d'un crédit pour un programme (affichage de CC). Lorsqu'on quitte le mode de service, l'affichage présente 'SELECT CYCLE' sauf si une manœuvre d'ouverture de porte (fin de programme) est nécessaire.
3. Programme de test de charge manuelle - Alors que l'ensemble de l'affichage clignote, ce programme est mis en marche en appuyant sur la touche WHITES. Ce programme offre des remplissages complets plus généraux, des culbutages, des vidanges et un mouvement du distributeur de l'actionneur permettant une analyse plus complète du fonctionnement de la laveuse, y compris le comportement du bouton de pression.
4. Programme d'essorage rapide - Alors que l'ensemble de l'affichage clignote, ce programme est mis en marche en appuyant sur la touche COLORS. Ce programme offre le moyen de vidanger et essorer rapidement (retirer l'eau de la laveuse) si désiré.
5. Programme de test de l'aperçu de l'historique - Alors que l'ensemble de l'affichage clignote, ce programme est mis en marche en appuyant sur la touche WOOLENS. Ce programme offre une vérification rapide des valves d'admission d'eau chaude et d'eau froide, des distributeurs, du fonctionnement du moteur de la pompe et du mouvement du distributeur de l'actionneur. Il comprend également des opérations de vidange et d'essorage.

Appuyer sur la touche DELICATES & KNITS permet de quitter le mode diagnostic et d'annuler un programme de diagnostic en cours.

### CODES DE DIAGNOSTIC

Si l'on entre dans le mode de paramétrage et si l'un des événements suivants survient, le code de diagnostic approprié sera visible sur l'affichage.

- d5 Blocage d'une pièce 1 ou défaillance du circuit de contrôle de l'introduction de pièces (système de reconnaissance de pièce et affichage du prix désactivés jusqu'à l'élimination du blocage). Modèles PR uniquement : le mode de paramétrage J. doit être réglé à \_d (ou Ed pour le Débit avancé) pour éliminer les codes de diagnostic liés aux pièces.
- d9 Détection d'une tension inférieure à 90 V CA pendant 8 secondes.
- d13 Blocage d'une pièce 2 ou défaillance du circuit de contrôle de l'introduction de pièces (système de reconnaissance de pièce et affichage du prix désactivés jusqu'à l'élimination du blocage).
- d16 Aucune réception de communication du lecteur de carte de débit installé au mode débit de Génération 2.
- F20 Remplissage lent. La laveuse ne détectera pas l'entrée d'eau pendant 4 min. Défaillance du bouton de pression ou absence de valve d'admission d'eau. Ce code est signalé par d8 sur d7
- F22 Impossible de verrouiller la porte. Erreur de verrouillage de la porte ou tentative de mise en marche de la laveuse en appuyant sur le contacteur de porte avec le doigt. Ce code est signalé par d17 sur Accu Trac.

(Consulter le personnel de service en cas de code différent)

### LAVEUSE - MODE AIDE

Pour accéder à ce mode, appuyer sur la touche PERMANENT PRESS alors que l'option de prix spécial (mode 2.XX) est active (ou alors que l'affichage présente dAS si on utilise le système de saisie de données Maytag).

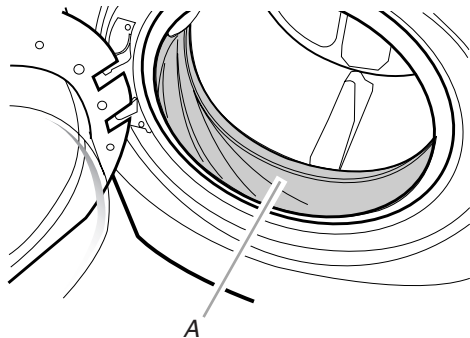
Au mode d'aide, les autres symboles et éléments de l'affichage reflètent la situation de divers signaux d'entrée et de sortie, comme suit :

Lavage	Détection de l'eau au niveau adéquat pour le lavage
*	Basse tension présente (inférieure à 90 V CA)
Cercle au-dessus d'un chiffre	Porte fermée
PORTE VERROUILLÉE	Détection de porte verrouillée
FROID	Relais Eau froide actif
CHAUD	Relais Eau chaude actif
OU	Déverrouillage de la porte
AVAILABLE (disponible)	Pompe de vidange en MARCHÉ

# NETTOYAGE DE LA LAVEUSE

## Nettoyage du joint/soufflet de la porte

1. Ouvrir la porte de la laveuse et retirer tout vêtement ou article de la laveuse.
2. Examiner le joint/soufflet de couleur noire entre l'ouverture de la porte et le panier pour déceler des zones tachées. Tirer sur le joint/soufflet pour examiner toutes les zones sous le joint/soufflet et voir s'il n'y a pas d'objets étrangers.



A. Joint/soufflet

3. Si des zones tachées sont décelées, essuyer ces zones en respectant la procédure indiquée ci-dessous.
  - a) Mélanger une solution diluée en utilisant  $\frac{3}{4}$  de tasse (177 mL) d'agent de blanchiment au chlore liquide et 1 gal. (3,8 L) d'eau tiède du robinet.
  - b) Essuyer la zone du joint/soufflet avec la solution diluée, en utilisant un chiffon humide.
  - c) Laisser agir pendant 5 minutes.
  - d) Essuyer la zone complètement avec un chiffon sec et laisser l'intérieur de la laveuse sécher avec la porte ouverte.

### IMPORTANT :

- Porter des gants en caoutchouc en cas de nettoyage pendant une période prolongée.
- Consulter les instructions du fabricant de l'agent de blanchiment pour une utilisation correcte.

## Procédure d'entretien de la laveuse

Cette laveuse comporte un programme spécial qui utilise des volumes d'eau plus importants en combinaison avec le nettoyant pour laveuse AFFRESH™ ou un agent de blanchiment au chlore liquide pour nettoyer en profondeur l'intérieur de la laveuse.

### REMARQUES :

- Lire ces instructions complètement avant de débiter la procédure de nettoyage.
- Si nécessaire, le programme de nettoyage peut être interrompu en appuyant deux fois sur le bouton DELICATES & KNITS. Cependant, ceci n'arrêtera pas immédiatement le programme. La machine poursuivra avec plusieurs rinçages et vidanges afin d'évacuer toute trace d'agent de blanchiment de la laveuse.

### Début de la procédure

1. Ouvrir la porte de la laveuse et retirer tout vêtement ou article de la laveuse.
2. **Utilisation du nettoyant pour laveuse AFFRESH™ (recommandée) :**  
Ajouter une tablette de nettoyant pour laveuse AFFRESH™ dans le tambour de la laveuse.  
**En cas d'utilisation d'un agent de blanchiment au chlore liquide :**  
Ouvrir le tiroir distributeur et ajouter immédiatement  $\frac{2}{3}$  de tasse (160 mL) d'agent de blanchiment au chlore liquide dans le compartiment d'agent de blanchiment.

**REMARQUE :** Ne pas verser de détergent pour ce programme. L'utilisation de plus de  $\frac{2}{3}$  de tasse (160 mL) d'agent de blanchiment occasionnera, avec le temps, des dommages au produit.

3. Fermer la porte de la laveuse et le tiroir distributeur.
4. Pour mettre en marche le programme Clean Washer (nettoyage de la laveuse), entrer d'abord dans "Start Operating Setup". Puis appuyer sur DELICATES & KNITS pendant 1 seconde. Alors que l'ensemble de l'affichage clignote, appuyer sur BRIGHTS.  
**REMARQUE :** Le panier pivote, la porte se déverrouille, se verrouille à nouveau et ensuite le programme se poursuit.
- La machine ne se remplit pas d'eau mais le panier tourne alors que la laveuse effectue un court programme de détection. Ceci prend environ 3 minutes.
5. Le programme détermine si des vêtements ou d'autres articles se trouvent dans la laveuse.
  - a) Si aucun article n'est détecté dans la laveuse, il passe à l'étape 7.
  - b) Si des articles sont détectés dans la laveuse, "rL" (enlever la charge) ou F-34" s'affiche. Ensuite la porte se déverrouille.
    - Appuyer sur DELICATES & KNITS pour annuler le code de défaillance. Puis répéter les étapes 1, 3 et 4 pour remettre le programme en marche.
6. Une fois que le programme a commencé, laisser le programme s'achever.
7. À la fin du programme, laisser la porte légèrement ouverte, pour permettre une meilleure ventilation et le séchage de l'intérieur de la laveuse.

## Toujours suivre la procédure qui suit pour préserver la fraîcheur de la laveuse

- Utiliser uniquement un détergent HE Haute efficacité.
- Laisser la porte légèrement ouverte après chaque programme pour permettre une meilleure ventilation et le séchage de l'intérieur de la laveuse.
- Nettoyer la laveuse chaque mois selon la Procédure d'entretien de la laveuse, en utilisant une tablette AFFRESH™ ou 2/3 de tasse (160 mL) d'agent de blanchiment au chlore liquide.
- Si la procédure ne permet pas de remédier suffisamment aux problèmes de fraîcheur de la machine, veuillez examiner les conditions d'installation et d'utilisation pour déceler d'autres causes.

### Nettoyage de l'extérieur

Utiliser une éponge ou un chiffon doux humide pour essuyer les renversements. Essuyer occasionnellement les surfaces externes de la laveuse pour maintenir son apparence d'appareil neuf. Utiliser un savon doux et de l'eau. Ne pas utiliser des produits abrasifs.

### Nettoyage du tiroir distributeur

Le tiroir distributeur est amovible pour faciliter le nettoyage.

1. Déverrouiller le tiroir distributeur en appuyant sur le levier de dégagement. Retirer le tiroir.
2. Ôter les pièces incluses (le siphon des compartiments de l'assouplissant de tissu et de l'agent de blanchiment).
3. Laver les pièces sous l'eau du robinet.  
**REMARQUE :** Ne pas laver les composants au lave-vaisselle.
4. Réinstaller les pièces incluses et remettre le distributeur dans le tiroir.

## Tuyaux d'arrivée d'eau

Remplacer les tuyaux d'arrivée d'eau après 5 ans d'utilisation pour réduire le risque de défaillance des tuyaux. Inspecter périodiquement les tuyaux; les remplacer en cas de renflement, de déformation, de coupure et d'usure ou si une fuite se manifeste.

Lors du remplacement des tuyaux d'arrivée d'eau, inscrire la date du remplacement.

# ASSISTANCE OU SERVICE

## Si vous avez besoin d'assistance :

Le centre d'interaction avec la clientèle Maytag répondra à toute question qui n'aurait pas été abordée dans les Instructions d'installation au sujet du fonctionnement ou de l'entretien de la laveuse. Le centre d'interaction avec la clientèle est ouvert 24 heures sur 24, 7 jours sur 7. Composez simplement le **1-800 NO BELTS (1-800-662-3587)** - l'appel est gratuit.

Lors de l'appel, vous aurez besoin des numéros de modèle et de série de la laveuse. Vous trouverez ces deux numéros sur la plaque signalétique située sur l'appareil.

## Accessoires

Vous pouvez faciliter l'utilisation de votre laveuse avec ces accessoires de première qualité.

Pour vous informer au sujet des autres articles de qualité ou pour commander, composez le **1-800-901-2042** ou consultez le site [www.maytag.com/accessories](http://www.maytag.com/accessories). Au Canada, composez le **1-800-807-6777** ou consultez le site Internet [www.whirlpoolparts.ca](http://www.whirlpoolparts.ca).

Produit numéro	Accessoire
<b>8212638RP</b>	Tuyau de remplissage compact de 6 pi (1,8 m) en nylon tressé, coude à 90°, raccords hypro-blue en acier. Plus sécuritaire que l'acier inoxydable. (lot de 2)
<b>8212487RP</b>	Tuyau de remplissage de 5 pi (1,5 m) en nylon tressé. Plus sécuritaire que l'acier inoxydable. (lot de 2)
<b>8212526</b>	Plateau d'égouttement de la laveuse, convient à tous les modèles
<b>31682</b>	Produit de nettoyage polyvalent pour appareils ménagers
<b>1903WH</b>	Casier de rangement de fournitures de buanderie
<b>W10135699</b>	AFFRESH™ - Produit de nettoyage pour laveuse



# GARANTIE DE LA LAVEUSE COMMERCIALE, DE LA SÉCHEUSE, DE LA SÉCHEUSE/SÉCHEUSE SUPERPOSÉE, DE L'ENSEMBLE DE BUANDERIE COMMERCIAL SUPERPOSÉ, ET DES LAVEUSES ET SÉCHEUSES COMMERCIALES MULTI-CHARGE PAYANTES MAYTAG

## GARANTIE LIMITÉE SUR LES PIÈCES

Pendant cinq ans à compter de la date d'achat, lorsque cet appareil ménager commercial est installé, utilisé et entretenu conformément aux instructions jointes à ou fournies avec le produit, Maytag marque de Whirlpool Corporation (ci-après désignée "Maytag") paiera pour les pièces de rechange spécifiées par l'usine ou les pièces de rechange d'équipement originales du fabricant pour corriger les vices de matériaux ou de fabrication. Une preuve d'achat originale est requise pour bénéficier du service de garantie.

## MAYTAG NE PAIERA PAS POUR

1. Tous les autres frais, notamment la main-d'œuvre, le transport ou les taxes douanières.
2. Les visites de service pour rectifier l'installation de l'appareil ménager commercial, montrer à l'utilisateur comment utiliser l'appareil, remplacer ou réparer des fusibles, ou rectifier le câblage ou la plomberie extérieure.
3. Les réparations lorsque l'appareil est utilisé autrement que pour une utilisation commerciale ordinaire.
4. Les dommages imputables à une mauvaise manipulation du produit pendant une livraison, un vol, un accident, une modification, un usage impropre, un abus, un incendie, une inondation, des actes de Dieu, une mauvaise installation, une installation non conforme aux codes locaux d'électricité et de plomberie, ou l'utilisation de produits non approuvés par Maytag.
5. Le ramassage et la livraison. Cet appareil commercial est conçu pour être réparé sur place.
6. Les réparations aux pièces ou systèmes résultant d'une modification non autorisée faite à l'appareil commercial.
7. La dépose et la réinstallation de votre appareil commercial si celui-ci est installé dans un endroit inaccessible ou n'est pas installé conformément aux instructions d'installation fournies.
8. Les dommages chimiques ne sont pas couverts par la garantie.
9. Les modifications du bâtiment, de la pièce ou de l'emplacement nécessaires pour faire fonctionner l'appareil commercial correctement.

## CLAUSE D'EXONÉRATION DE RESPONSABILITÉ AU TITRE DES GARANTIES IMPLICITES; LIMITATION DES RECOURS

LE SEUL ET EXCLUSIF RECOURS DU CLIENT DANS LE CADRE DE LA PRÉSENTE GARANTIE LIMITÉE CONSISTE EN LA RÉPARATION OU LE REMPLACEMENT DU PRODUIT PRÉVUS CI-DESSUS. LES GARANTIES IMPLICITES, Y COMPRIS LES GARANTIES APPLICABLES DE QUALITÉ MARCHANDE ET D'APTITUDE À UN USAGE PARTICULIER, SONT LIMITÉES À UN AN OU À LA PLUS COURTE PÉRIODE AUTORISÉE PAR LA LOI. WHIRLPOOL N'ASSUME AUCUNE RESPONSABILITÉ POUR LES DOMMAGES FORTUITS OU INDIRECTS. CERTAINES JURIDICTIONS NE PERMETTENT PAS L'EXCLUSION OU LA LIMITATION DES DOMMAGES FORTUITS OU INDIRECTS, OU LES LIMITATIONS DE LA DURÉE DES GARANTIES IMPLICITES DE QUALITÉ MARCHANDE OU D'APTITUDE À UN USAGE PARTICULIER, DE SORTE QUE CES EXCLUSIONS OU LIMITATIONS PEUVENT NE PAS S'APPLIQUER DANS VOTRE CAS. CETTE GARANTIE VOUS CONFÈRE DES DROITS JURIDIQUES SPÉCIFIQUES ET VOUS POUVEZ ÉGALEMENT JOUIR D'AUTRES DROITS QUI PEUVENT VARIER D'UNE JURIDICTION À UNE AUTRE.

Si vous avez besoin de service, veuillez communiquer avec votre distributeur d'ensemble de buanderie Maytag autorisé. Pour localiser votre distributeur d'ensemble de buanderie Maytag autorisé, ou pour des demandes de renseignements sur Internet, visitez le site Web [www.MaytagCommercialLaundry.com](http://www.MaytagCommercialLaundry.com).

9/07

Vous pouvez écrire à l'adresse suivante :  
Maytag Commercial Laundry Service Department  
2000 M-63 North  
Benton Harbor, Michigan 49085 USA

**Conservez ce manuel et votre reçu de vente ensemble pour référence ultérieure. Pour le service sous garantie, vous devez présenter un document prouvant la date d'achat ou d'installation.**

Inscrivez les renseignements suivants au sujet de votre gros appareil ménager pour mieux vous aider à obtenir assistance ou service en cas de besoin. Vous devrez connaître le numéro de modèle et le numéro de série au complet. Vous trouverez ces renseignements sur la plaque signalétique située sur le produit.

Nom du marchand \_\_\_\_\_

Adresse \_\_\_\_\_

Numéro de téléphone \_\_\_\_\_

Numéro de modèle \_\_\_\_\_

Numéro de série \_\_\_\_\_

Date d'achat \_\_\_\_\_

**W10165327A**  
**SP PN W1013209A**

© 2008  
All rights reserved.  
Tous droits réservés.

MAYTAG and the “M” Symbol are registered trademarks of Maytag Limited in Canada.  
MAYTAG et le symbole “M” sont des marques déposées de Maytag Limited au Canada.  
All other marks are trademarks of Maytag Corporation or its related companies.  
Toutes les autres marques sont des marques de commerce de Maytag Corporation ou de ses compagnies affiliées.  
AFFRESH is a trademark of Whirlpool, U.S.A.  
AFFRESH est une marque de commerce de Whirlpool, U.S.A.

2/08  
Printed in U.S.A.  
Imprimé aux É.-U.